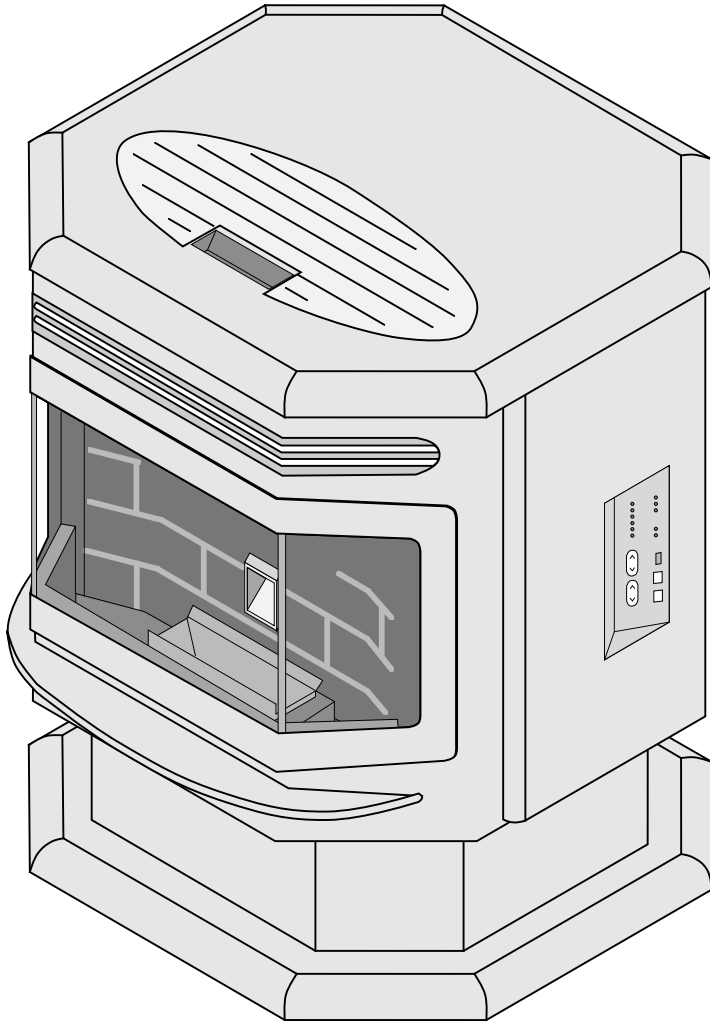




AVALONTM
Firestyles for Life



Astoria Pellet Stove

- *Horizontal Or Vertical Vent*
 - *Freestanding Stove*
 - *Mobile Home Approved*
 - *Class A Chimney Retrofit*
 - *Hearth Stove into Existing Masonry Chimney , Masonry Fireplace, or Z.C. Fireplace*
- Please read this entire manual before installation and use of this pellet fuel-burning room heater. Failure to follow these instructions could result in property damage bodily injury or even death.
- Contact local building or fire officials about restrictions and installation inspection requirements in your area.

Tested and Listed by



OMNI-Test Laboratories, Inc.
Beaverton, Oregon
Report # 028-S-42-2
ASTME-1509 1995, ULCC 1482

Owner's Manual

Installer: After installation give this manual to the home-owner and explain operation of this heater.

© Copyright 2007, T.I. \$10.00 100-01154 4051227



**TRAVIS INDUSTRIES
HOUSE OF FIRE**
4800 Harbour Pointe Blvd. SW
Mukilteo, WA 98275

Introduction

We welcome you as a new owner of an Astoria pellet heater. In purchasing an Astoria you have joined the growing ranks of concerned individuals whose selection of an energy system reflects both a concern for the environment and aesthetics. The Astoria is one of the finest home heaters the world over. This manual will explain the installation, operation, and maintenance of this pellet-burning heater. Please familiarize yourself with the Owner's Manual before operating your heater and save the manual for future reference. Included are helpful hints and suggestions which will make the installation and operation of your new heater an easier and more enjoyable experience. We offer our continual support and guidance to help you achieve the maximum benefit and enjoyment from your heater.

Important Information

No other Astoria heater has the same serial number as yours. The serial number is on the hopper lid.

This serial number will be needed in case you require service of any type.

Model: Astoria

Serial Number: _____

Purchase Date: _____

Purchased From: _____

Mail your Warranty Card Today, and Save Your Bill of Sale.

To receive full warranty coverage, you will need to show evidence of the date you purchased your heater. Do not mail your Bill of Sale to us.

We suggest that you attach your Bill of Sale to this page so that you will have all the information you need in one place should the need for service or information occur.



We suggest that our pellet hearth products be installed and serviced by professionals who are certified in the U.S. by the National Fireplace Institute® (NFI) as NFI Pellet Specialists or who are certified in Canada by Wood Energy Technical Training (WETT).



Introduction

Introduction.....	2
Important Information.....	2

Safety Precautions

Safety Precautions.....	4
-------------------------	---

Specifications

Heating Specifications.....	6
Dimensions.....	6
Electrical Specifications.....	6
Fuel.....	6
EPA Compliance.....	6

Installation

Before you Begin.....	7
Packing List.....	7
Installation Options.....	7
Planning the Installation.....	7
Stove Placement.....	7
Floor Protection Requirements.....	7
Clearances - Straight Installation.....	8
Clearances - Corner Installation.....	8
Venting the Pellet Stove.....	9
Maximum Venting Distance.....	9
Pellet Vent Type.....	10
Installing the Pellet Vent.....	10
Pellet Vent Termination.....	10
Mobile Home Requirements.....	11
Outside Air.....	11
Alcove Installation Requirements.....	12
Baffle Installation.....	12
Door Seal Verification.....	12
Restrictor Adjustment.....	12
Installation Example: Direct "Through the Wall".....	13
Installation Example: Interior Vertical.....	14
Installation Example: Type A Chimney Retrofit.....	15
Installation Example: Masonry Fireplace.....	16
Installation Example: Zero-Clearance (Metal) Firepl... 17	17
Installation Example: Freestanding Masonry Chim.... 18	18

Operation

Safety Notice.....	19
Location of Controls.....	19
Starting the Heater for the First Time.....	19
Curing the Paint.....	19
Priming the Auger.....	19
Loading Pellets.....	20
The Two Modes of Operation.....	20

Operation (continued)

Manual Mode.....	21
Auto Mode.....	22
Restrictor Adjustment.....	23
Adjusting the Fan Speed.....	23
Start-Up Sequence.....	24
"AUGER ON" Light.....	24
"FAULT" Light.....	24
Power Outages.....	24

Maintenance

Daily Maintenance (whenever using the stove).....	25
Inspect the Burn.....	25
Make Sure Pellets are not Piling Up.....	25
Check Firepot for Clinkers.....	26
Cleaning the Firepot.....	26
Opening the Door.....	27
Bi-Weekly Maintenance (or every 10 bags pellets)....	28
Clean the Heat Exchange Tubes.....	28
Vacuum Hopper.....	28
Clean the Gold Door.....	28
Clean the Baffles.....	29
Sweep Ash Into Ashpan.....	30
Check Ashpan, Dispose if Necessary.....	31
Clean the Glass.....	31
Yearly Maintenance (or every two tons).....	32
Clean the Exhaust Duct.....	32
Clean the Exhaust Blower.....	33
Clean the Vent.....	33
Door Seal.....	34
Door Alignment.....	34
Adjusting the Door Hinge and Latch.....	35
Check for Air Leaks - Door, Glass and Ashpan....	36
Replacement Parts.....	36

Normal Operating Sounds

Normal Operating Sounds.....	37
------------------------------	----

Safety Label

Safety Label.....	38
-------------------	----

Warranty

Warranty.....	39
---------------	----

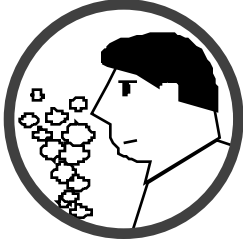
Optional Equipment

Thermostat.....	40
Pellet Log.....	41

Index

Index.....	42
------------	----

Safety Precautions



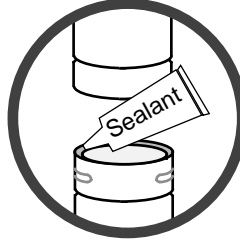
- Do not operate the heater if you smell smoke coming from the heater. Turn the MODE switch to "OFF", monitor your heater, and call your dealer.



- Contact your local building officials to obtain a permit and information on any installation restrictions or inspection requirements in your area. Notify your insurance company of this heater as well.



- Never use gasoline, gasoline-type lantern fuel, kerosene, charcoal lighter fluid, or similar liquids to start or 'freshen up' a fire in this heater. Keep all such liquids well away from the heater while it is in use.



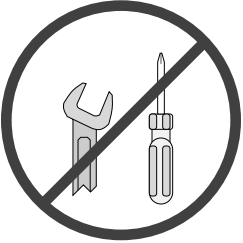
- The exhaust system **must** be completely airtight and properly installed. The pellet vent joints must be sealed with RTV 500° F. (260° C.) silicone sealant.



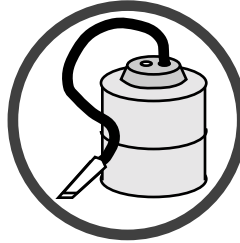
- Do not unplug the heater if you suspect a malfunction. Turn the MODE SWITCH to "OFF" and periodically inspect the heater.



- This unit must be properly installed to prevent the possibility of a house fire. The instructions must be strictly adhered to. Do not use makeshift methods or compromise in the installation.



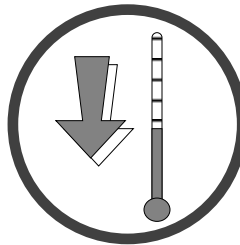
- Never try to repair or replace any part of the heater unless instructions are given in this manual. All other work should be done by a trained technician.



- Your heater requires periodic maintenance and cleaning (see "Maintaining Your Heater"). Failure to maintain your heater may lead to smoke spillage in your home.



- The viewing door and ashpan must be closed and latched during operation.
- Never block free airflow through the open vents of the unit.



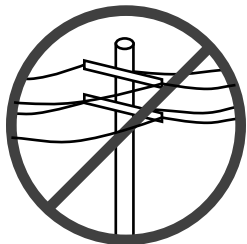
- Allow the heater to cool before carrying out any maintenance or cleaning. Ashes must be disposed in a metal container with a tight lid and placed on a non-combustible surface well away from the home or structure.



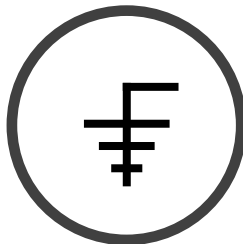
- Do not operate the heater if the flame becomes dark & sooty or if the firepot overfills with pellets. Turn the MODE SWITCH to "OFF" and periodically inspect the heater (see "Running Your Heater").



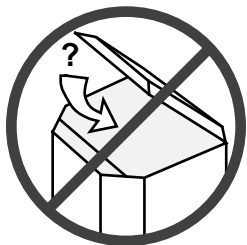
- This heater is designed and approved for pelletized wood fuel only. Any other type of fuel burned in this heater will void the warranty and safety listing (see page 6 for details).



- The heater will not operate during a power outage. If a power outage does occur, check the heater for smoke spillage and open a window if any smoke spills into the room.



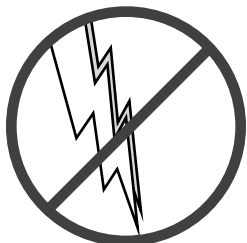
- This heater must be connected to a standard 115 V., 60 Hz grounded electrical outlet. Do not use an adapter plug or sever the grounding plug. Do not route the electrical cord underneath, in front of, or over the heater.



- Keep foreign objects out of the hopper.

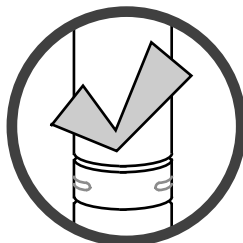


- When installed in a mobile home, the heater must be bolted to the floor, have outside air, and **NOT BE INSTALLED IN THE BEDROOM** (Per H.U.D. requirements). Check with local building officials.



- Disconnect the power cord before performing any maintenance.

NOTE:
Turning the Mode Switch to "OFF" does not disconnect all power to the heater.



- The exhaust system should be checked twice a year minimum for any build-up of soot or creosote.



- Do not throw this manual away. This manual has important operating and maintenance instructions that you will need at a later time. Always follow the instructions in this manual.



- Do not touch the hot surfaces of the heater. Educate all children of the danger of a high-temperature heater. Young children should be supervised when they are in the same room as the heater.



- Do not place clothing or other flammable items on or near the heater. Because this heater can be controlled by a thermostat there is a possibility of the heater turning on and igniting any items placed on or near it.



- **Travis Industries, Inc. grants no warranty, implied or stated, for the installation or maintenance of your heater, and assumes no consequential damage(s).**

Specifications

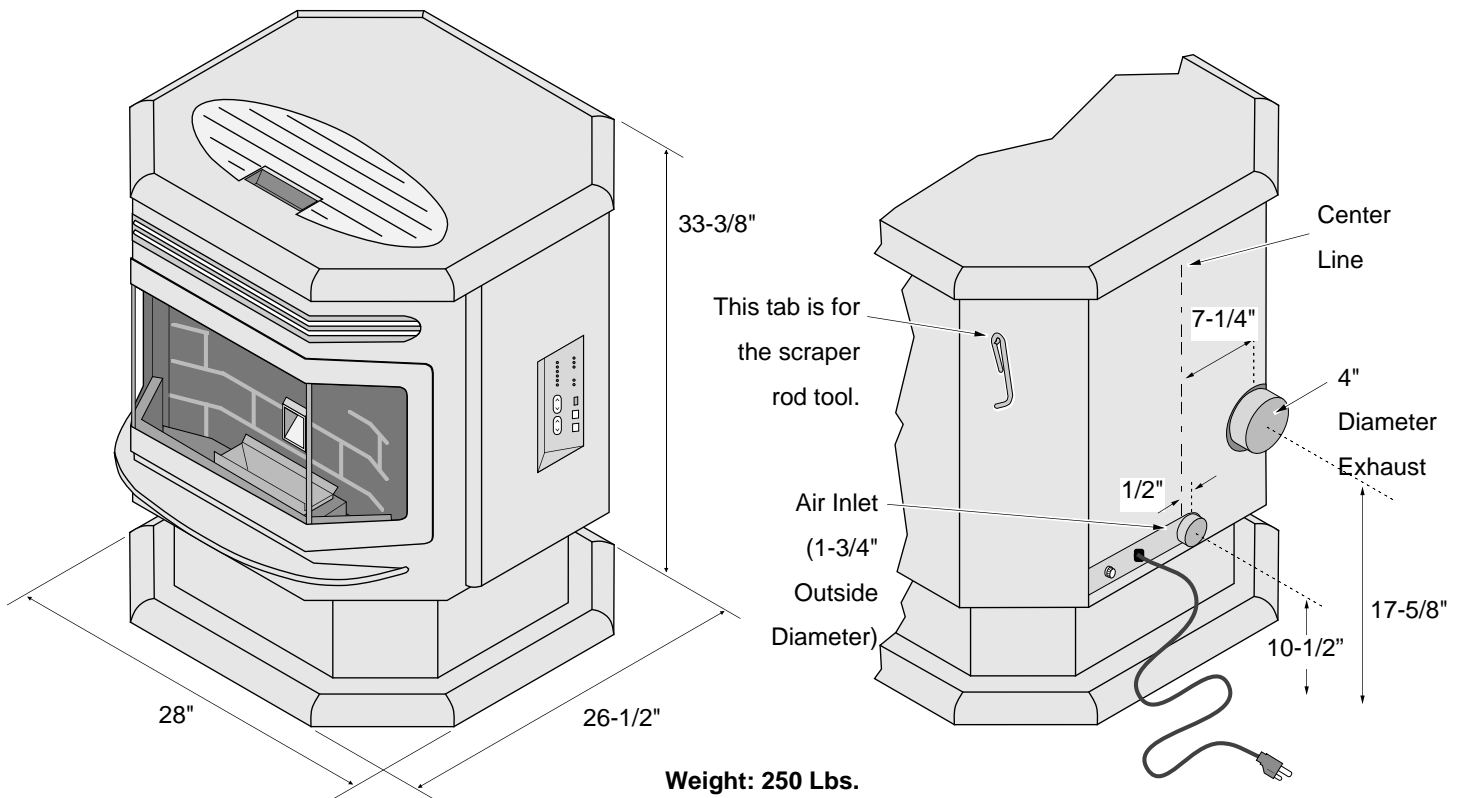
Heating Specifications:

Approximate Maximum Heating Capacity (in square feet)*	800 to 2,250 Sq. Feet
Burn Rate (Pounds per Hour)**	1.7 to 5.5
Maximum Burn Time on Low Burn**	67.5 Hours
Hopper Capacity	115 Pounds

* Heating capacity will vary depending on the home's floor plan, degree of insulation, and the outside temperature. It is also affected by the fuel size, quality, and moisture level.

** Small pellets will increase or decrease the stated burn rates and burn times. Differences of plus or minus 20% depending on fuel quality may occur.

Dimensions:



Electrical Specifications:

Electrical Rating	115 Volts, 3.6 Amps, 60 Hz
Watts During Start-Up Sequence	400 (approximately)
Watts During Operation	180 (approximately)

Fuel:

The unit is designed for wood pellets that comply with the standards set by the Association of Pellet Fuel Industry (density of at least 40 lbs. per cubic foot, 1/4" to 5/16" diameter, length no greater than 1-1/2", 8200 BTU's/lb., moisture under 8% by weight, ash under 1% by weight, and salt under 300 parts per million). If the fuel does not comply to this standard, the unit may not operate as designed.

NOTE: This heater may use alternative fuel if equipped with the multi-fuel fire pot and properly maintained. See the publication "Multi-Fuel Pellet Fire Pot" for requirements (available from your Travis Industries, Inc. dealer).

EPA Compliance:

This heater has been tested exempt from EPA Phase II Requirements by OMNI Test Labs.

Before You Begin

READ THIS ENTIRE MANUAL BEFORE YOU INSTALL AND USE THIS HEATER. FAILURE TO FOLLOW THE INSTRUCTIONS MAY RESULT IN PROPERTY DAMAGE, BODILY INJURY, OR EVEN DEATH.

Check with local building officials for any permits required for installation of this pellet heater and notify your insurance company before proceeding with installation.

Packing List

- Thermostat & Wire
- Scraper Rod Tool
- Brush
- Fuses (2)

Installation Options:

- Residential or Mobile Home (see the section "Mobile Home Requirements")
- Alcove Compatible (see the section "Alcove Installation")
- Horizontal or Vertical Vent
- Outside Air Compatible
- Vent with L-Vent, L-Vent Fireplace Liner, or Type A Chimney (with adapter)

Planning The Installation

- HINT: Have an authorized Travis Industries dealer install this heater. If you install the heater yourself, have your dealer review your installation plans.
- HINT: Sketch out a detailed plan of the installation including dimensions. Then verify the dimensions with the requirements listed in this manual.
- HINT: When determining the location of the stove, locate the wall studs (for horizontal penetrations) and ceiling trusses (for vertical penetrations). You may wish to adjust the stove position slightly to ensure the vent does not intersect with a framing member.
- HINT: Place the heater outside and load 10 pounds of pellets inside the hopper. Plug the heater in and let it run on HIGH until the pellets run out. This will cure the paint and burn off any oil on the steel, eliminating any smell inside the home.

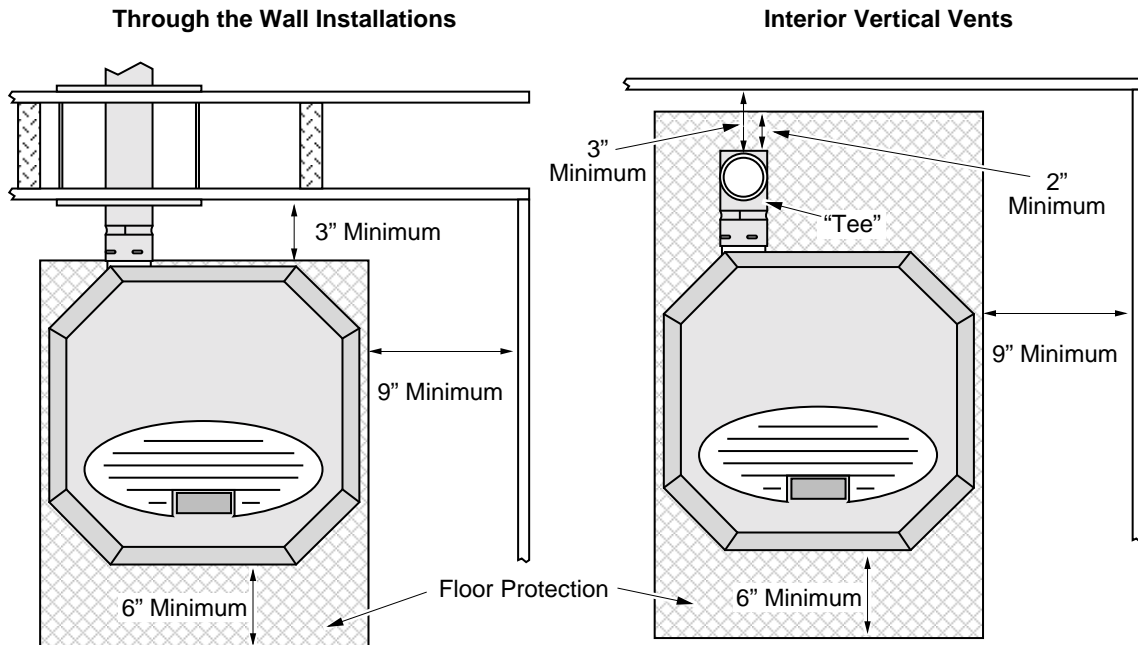
Stove Placement

- Stove must be placed so that no combustibles are within, or can swing within (e.g. drapes, doors), 36" of the front of the heater.
- ? If the stove is placed in a location where the ceiling height is less than 7', it must follow the requirements in the section "Alcove Installation Requirements".
- HINT: REDUCING CLEARANCES - Clearances may be reduced by methods specified in NFPA 211, listed wall shields, pipe shields, or other means approved by local building or fire officials.
- Heater and floor protection must be installed on a level, secure floor.

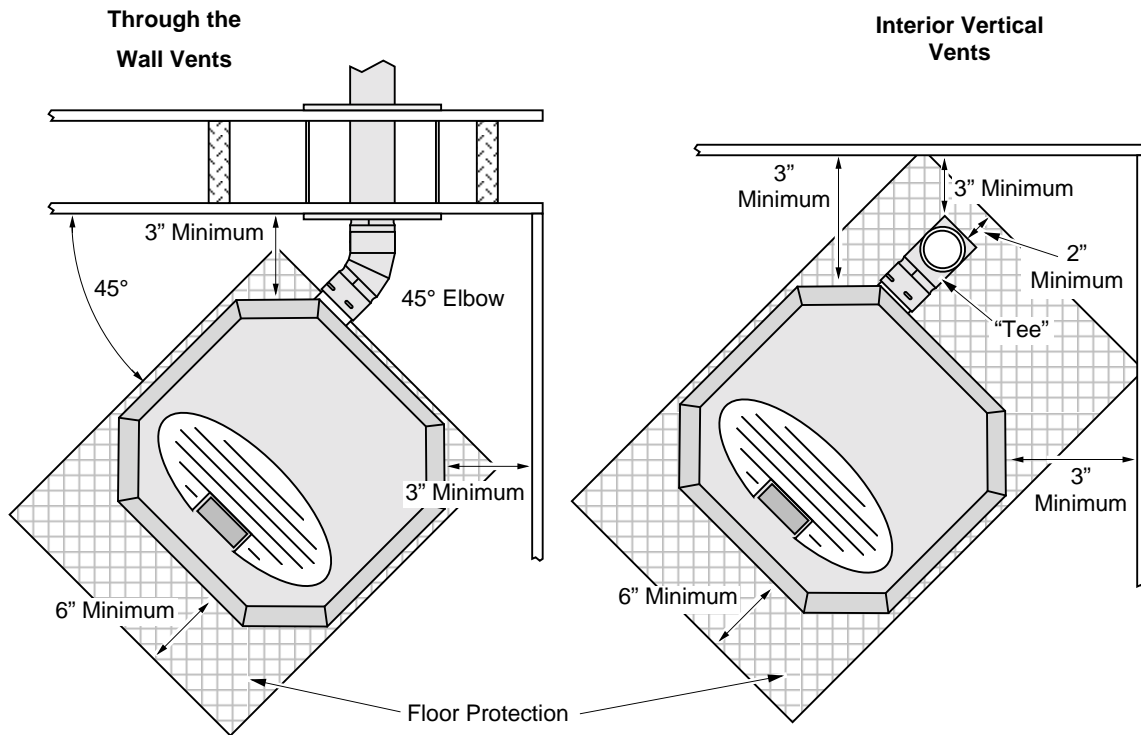
Floor Protection Requirements

- The heater must be installed on a non-combustible floor protector extending the full width and depth of the heater and extending 6" in front (Minimum 28" wide by 32-1/2" deep) (minimum .018" thick - 26 gauge) .
- Must extend under and 2" to each side and rear of a "Tee" (if used).

Clearances - Straight Installation



Clearances - Corner Installation



Note: If interior vertical pellet vent is used, the clearance to the backwall is determined by the upward-turning elbow or "Tee". It will vary in depth depending on the brand of pellet vent used (it is approximately 5"). Before placing the heater, connect the elbow or "Tee" and measure off the 3" clearance.

Venting the Pellet Stove

- PELLET VENT MUST MAINTAIN A MINIMUM 3" CLEARANCE TO ANY COMBUSTIBLE (INSTALL VENT AT CLEARANCES SPECIFIED BY THE VENT MANUFACTURER).
- DO NOT CONNECT THE PELLET VENT TO A VENT SERVING ANY OTHER APPLIANCE OR STOVE.
- DO NOT INSTALL A FLUE DAMPER IN THE EXHAUST VENTING SYSTEM OF THIS UNIT.
- USE AN APPROVED WALL THIMBLE WHEN PASSING THE VENT THROUGH WALLS AND A CEILING SUPPORT/FIRE STOP SPACER WHEN PASSING THE VENT THROUGH CEILINGS (MAKE SURE TO MAINTAIN 3" CLEARANCE TO ANY COMBUSTIBLES).
- No more than one tee and 180° of elbows (one tee with two 90° elbows, one tee with one 90° and two 45° elbows, etc.).

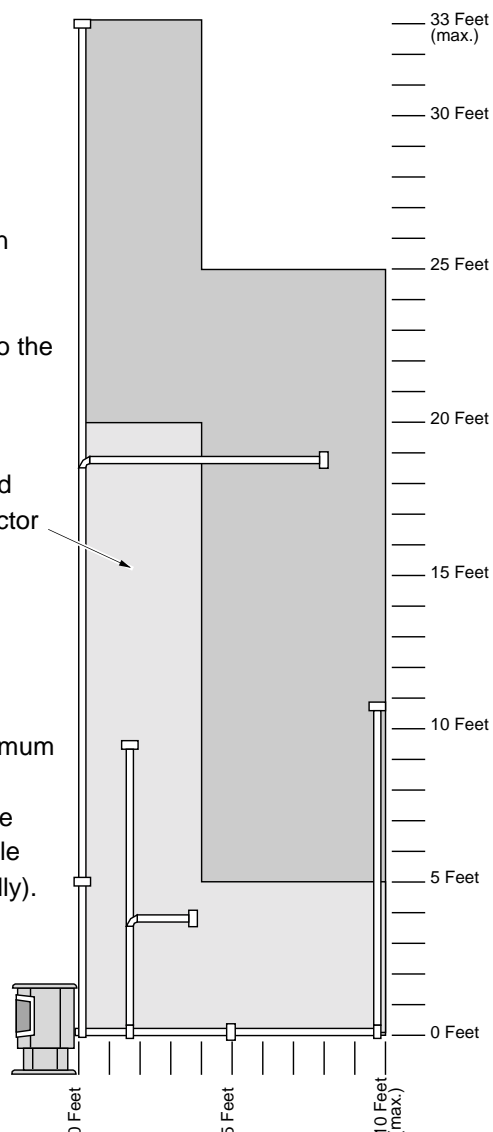
Maximum Venting Distance:

- Vent must have a support bracket every 5' of pellet vent when exterior of structure

The vent height and run must not exceed the distance shown in the shaded region shown to the right.

Venting into this shaded area may require restrictor adjustments. See the section "Restrictor Adjustment" for details.

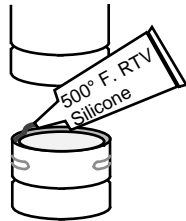
NOTE: To achieve optimum performance, we recommend keeping the vent as short as possible (horizontal run especially).



Pellet Vent Type

- Must be 4" diameter Type "L" (except for masonry fireplace installations) - or - connect the vent to a factory built type "A" chimney. All vent joints (including adapters, elbows, etc...) must be sealed with 500° F. RTV silicone.

Installing the Pellet Vent

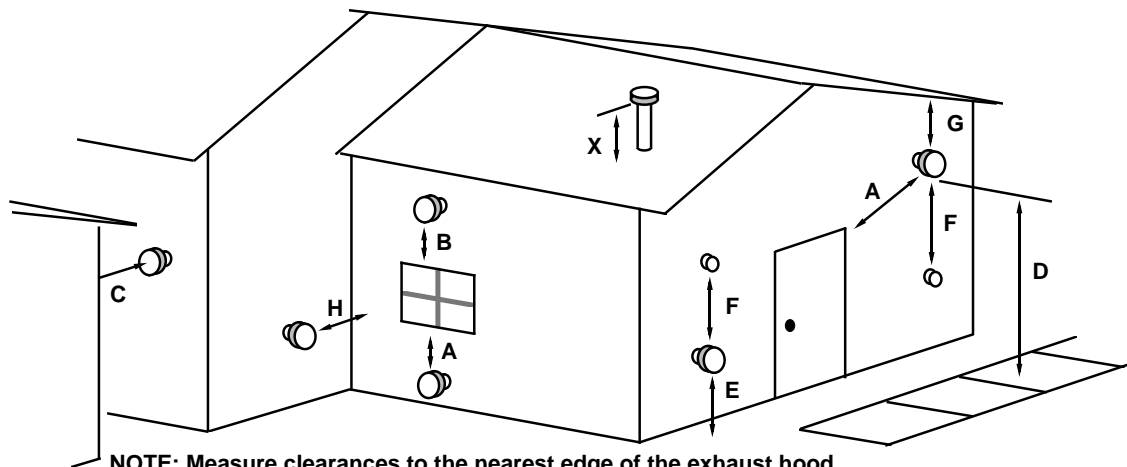


Seal each vent section (including adapters, elbows, etc...) by injecting a liberal amount of 500° F. RTV silicone into the gap between sections.

- Horizontal sections must have a 1/4" rise every 12" of travel.
- Pellet vent connections must be sealed airtight with 500° F. RTV silicone and screwed together with at least three sheet metal screws.

Pellet Vent Termination (See the illustration below)

- Must have an approved cap (to prevent water from entering) or a 45° downturn.
- If the termination is located on a windy side of the house, an approved house shield is recommended to prevent soot from building up on the side of the house.
- Must not be located where it will become plugged by snow or other material.
- Horizontal terminations must protrude 12" from the wall, vertical terminations require 24".



NOTE: Measure clearances to the nearest edge of the exhaust hood.

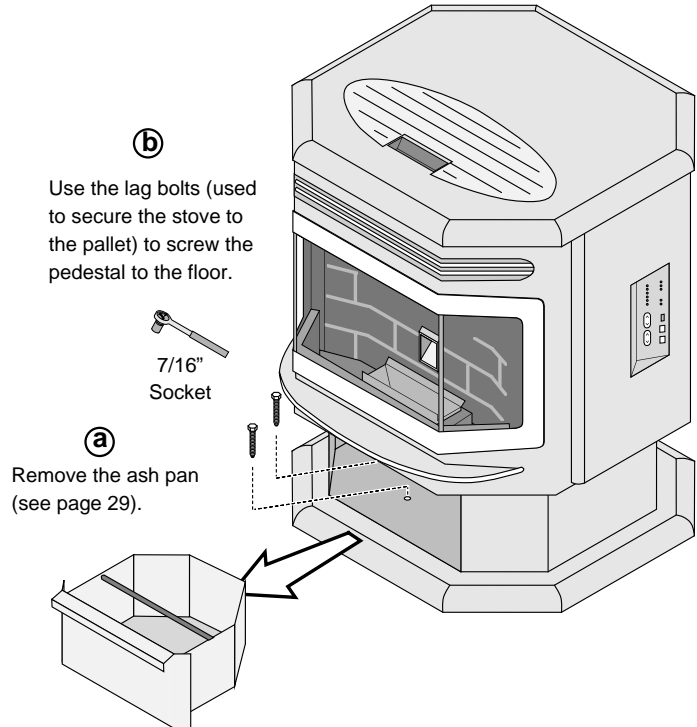
- A Minimum 4' clearance below or beside any door or window that opens
Minimum 1' clearance below or beside any window that does not open.
- B Minimum 1' clearance above any door or window that opens
- C Minimum 2' clearance from any adjacent building
- D Minimum 7' clearance above any grade when adjacent to public walkways
NOTE: Vent may not terminate in covered walkway or breezeway.
- E Minimum 2' clearance above any grass, plants, or other combustible materials
- F Minimum 3' clearance from any forced air intake of any other appliance
- G Minimum 2' clearance below eaves or overhangs
- H Minimum 1' clearance horizontally from combustible wall
- X Must be a minimum of 2' above the roof

Mobile Home Requirements

- Outside air is required (used for combustion) - see the directions below.
- The heater must be bolted to the floor (Some states do not require this; check with your local building department). See the illustration to the right.
- The heater must be grounded to the steel chassis of the mobile home (Some states do not require this; check with your local building department).

WARNING: DO NOT INSTALL IN SLEEPING ROOM.

CAUTION: THE STRUCTURAL INTEGRITY OF THE MANUFACTURED HOME FLOOR, WALL, AND CEILING/ROOF MUST BE MAINTAINED.

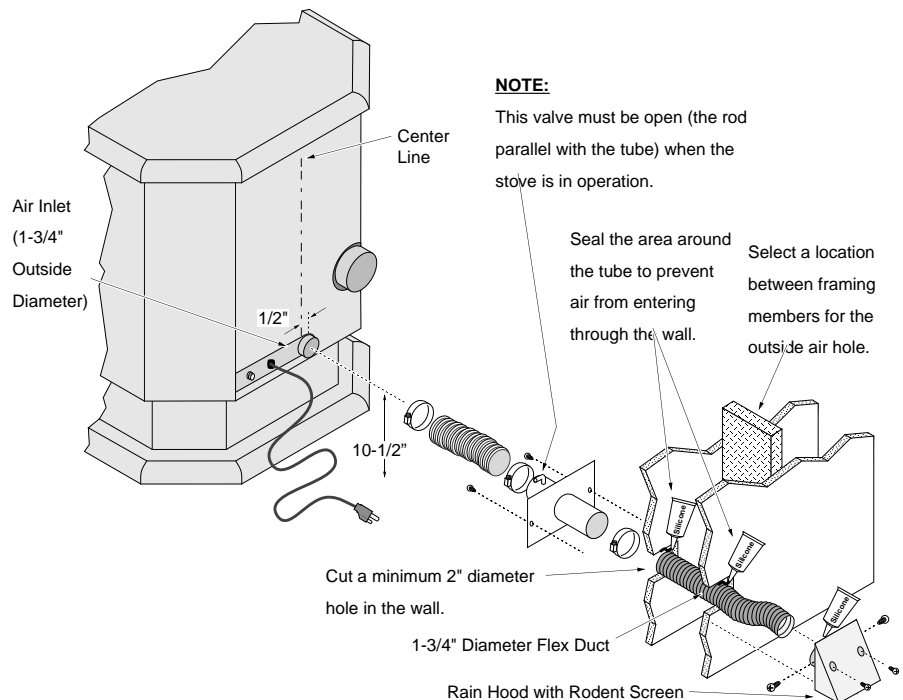


Outside Air (used for combustion)

- Must not be drawn from an enclosed space (garage, unventilated crawl space).

HINT: Travis Industries strongly suggests outside air for all residential installations, especially for those that are energy efficient, air-tight homes.

- Must not be over 15' long.
- Must be made with 1 3/4" diameter or larger metal or aluminum duct with a metal screen attached to the end to keep out rodents (P.V.C. or other combustible materials may not be used). We recommend the Travis Industries Outside Air Kit (part # 99200136).
- Must not terminate above or within 1' of the chimney termination.
- Must have a rain cap or down-turned elbow to prevent water from entering.
- Must be located so that it will not become plugged by snow or other material.



Alcove Installation Requirements

When the pellet stove is placed in a location where the ceiling height is less than 7' tall, it is considered an alcove installation. Because of the reduced height, the requirements listed below must be met.

- Minimum height is 60"
- Minimum width is 46"
- Maximum depth is 48"
- Minimum clearance of 9" on each side and 3" on back

Baffle Installation

Install the baffles included with the stove (see page 29 for details).

Door Seal Verification

The door is aligned prior to leaving the factory. However, shipping and installation may cause the door to become mis-aligned. Verify the door is correctly aligned and seals properly (see the section "Door Seal" under Yearly Maintenance).

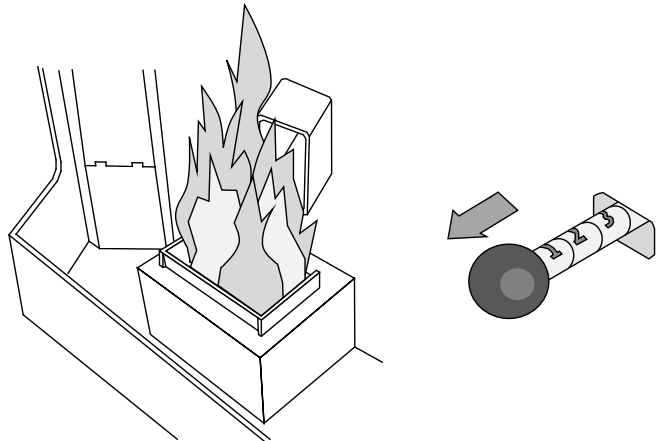
Restrictor Adjustment

The exhaust restrictor "fine tunes" your appliance, ensuring it pulls the correct amount of air through the firebox. Altitude, vent configuration, and other factors make restrictor adjustment necessary for every installation.

NOTE: the optimal restrictor position will vary over time as soot builds up inside the exhaust system – make sure the homeowner knows how to visually inspect the flame and adjust the restrictor.

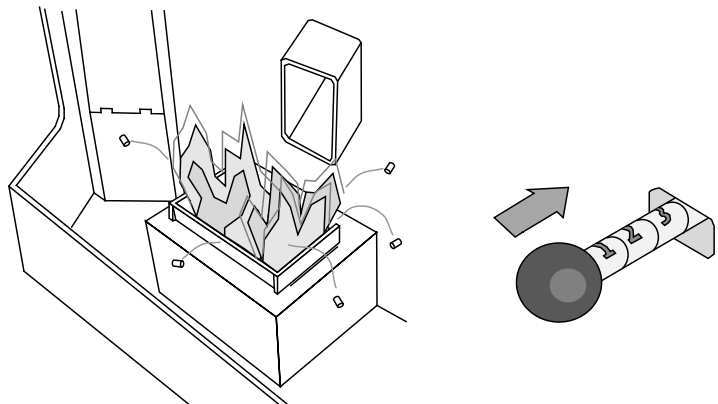
Not Enough Air:

If clinkers develop or the flame appears lazy and slow to blow the ash out of the firepot, pull the restrictor outward until the flame becomes active and the firepot holes remain clean. **NOTE:** If the restrictor is fully out ("5"), yet the firepot does not remain clean, the stove needs to be cleaned and checked for air leaks (see "Maintenance" section of this manual).

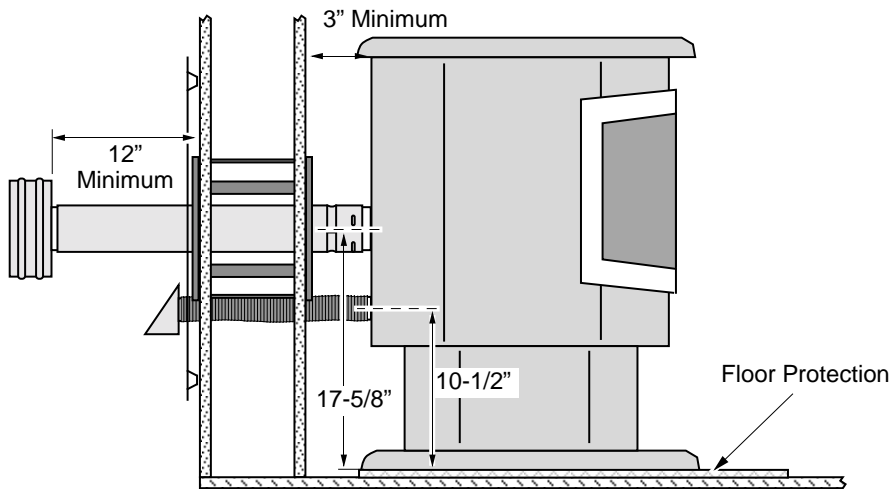
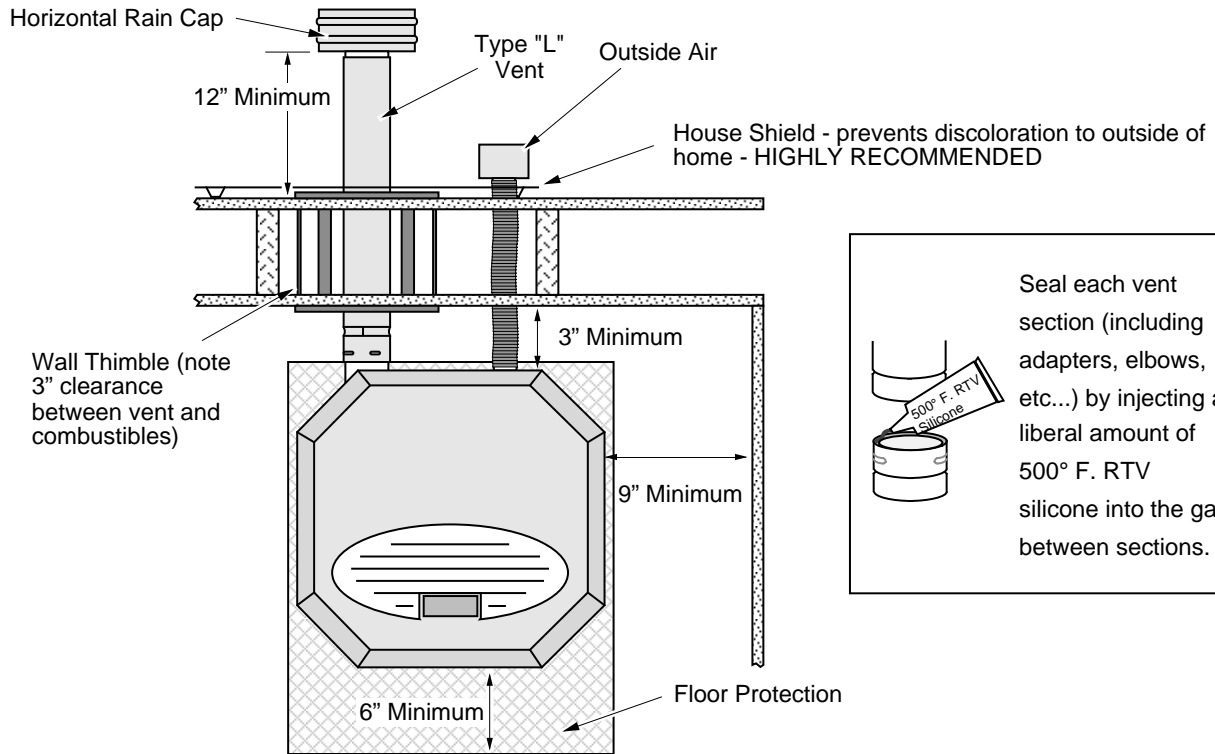


Too Much Air:

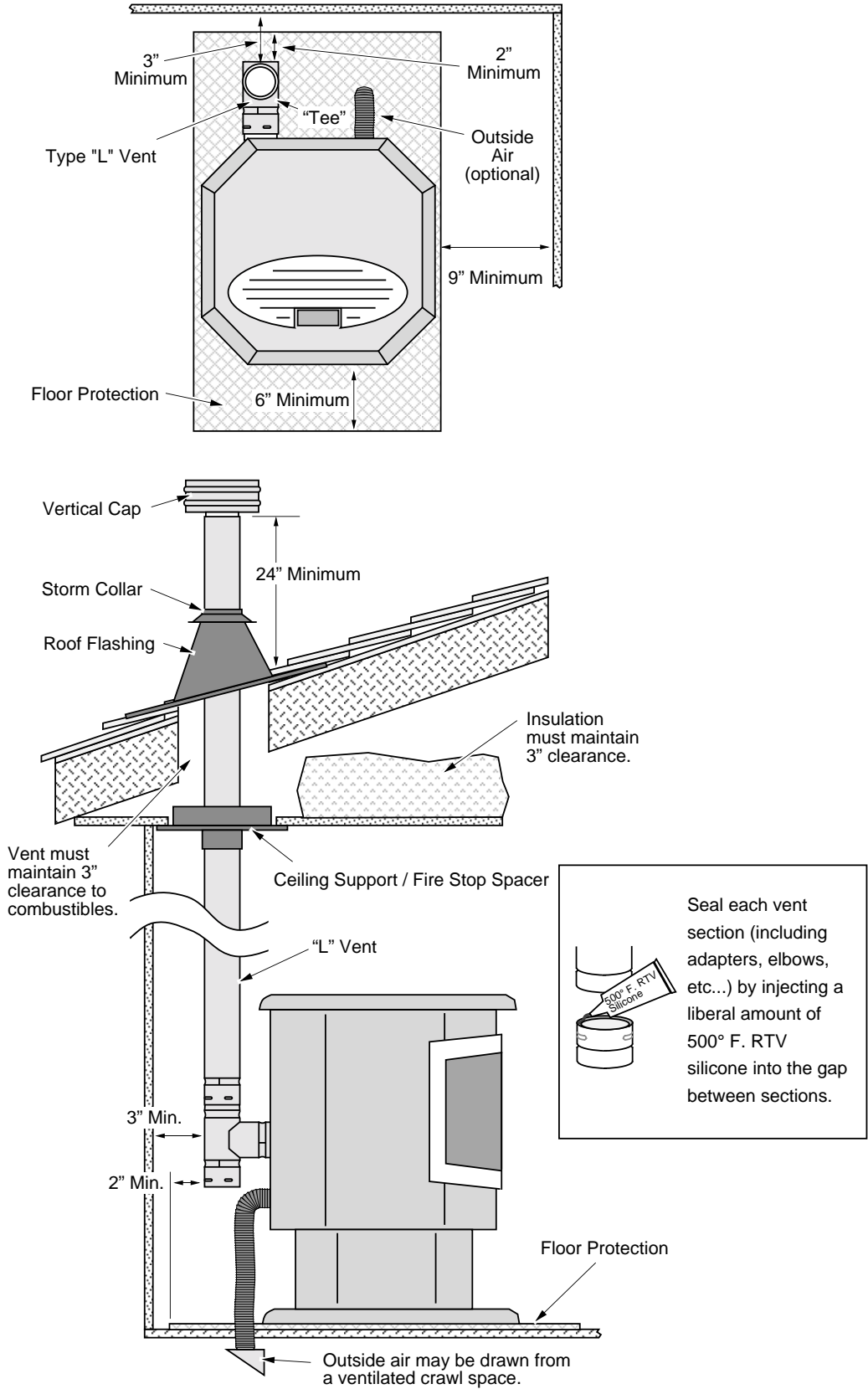
If the flames are too active (small, flickering flames) or if burning pellets are expelled from the firepot, move the restrictor rod inwards until the flame slows down and no burning pellets are expelled. Another symptom of too much air is the heater "blowing the fire out" – a condition in which the pellets burn faster than they are fed (this is most common on low).



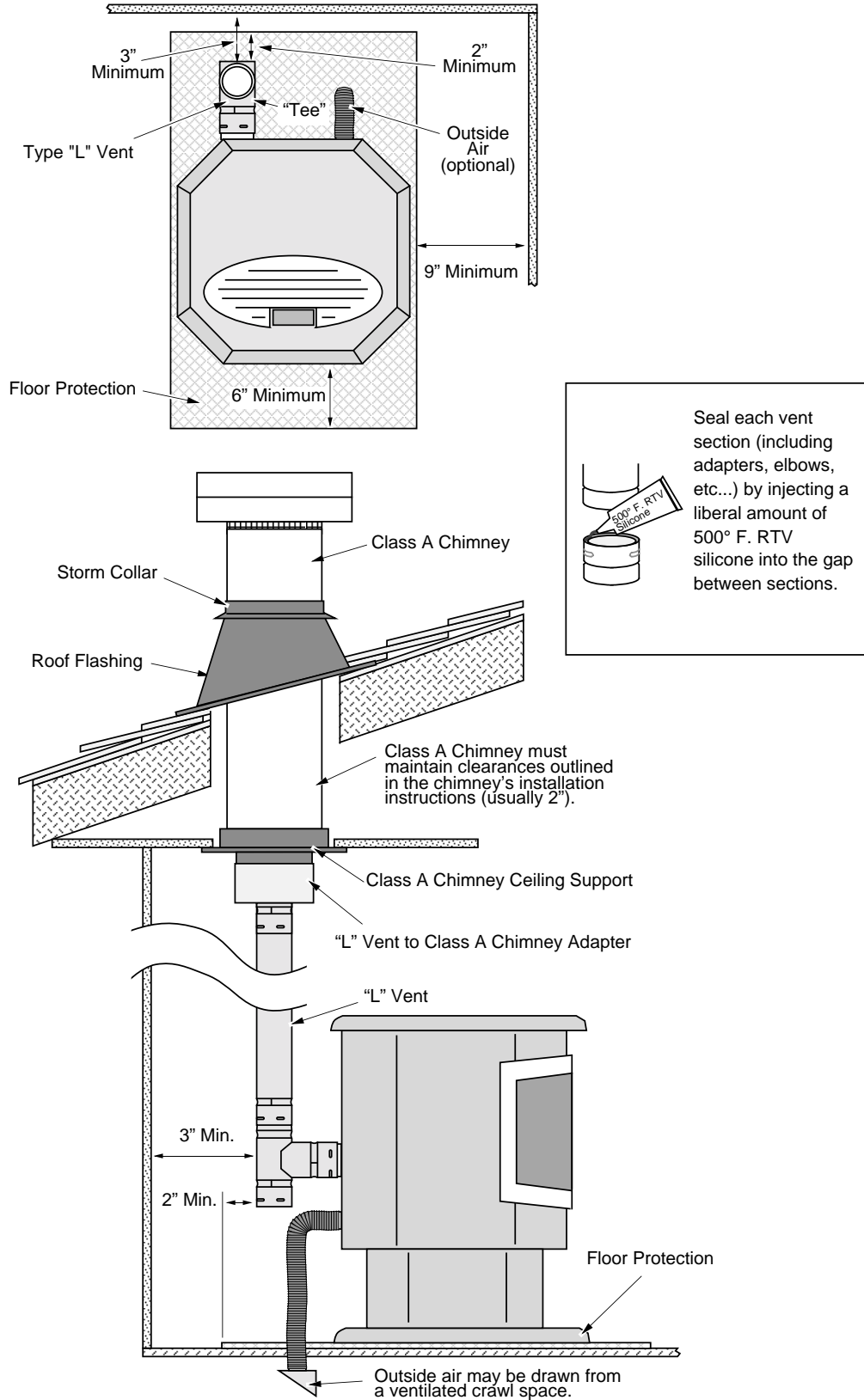
Installation Example: Direct "Through-the-wall" Installation



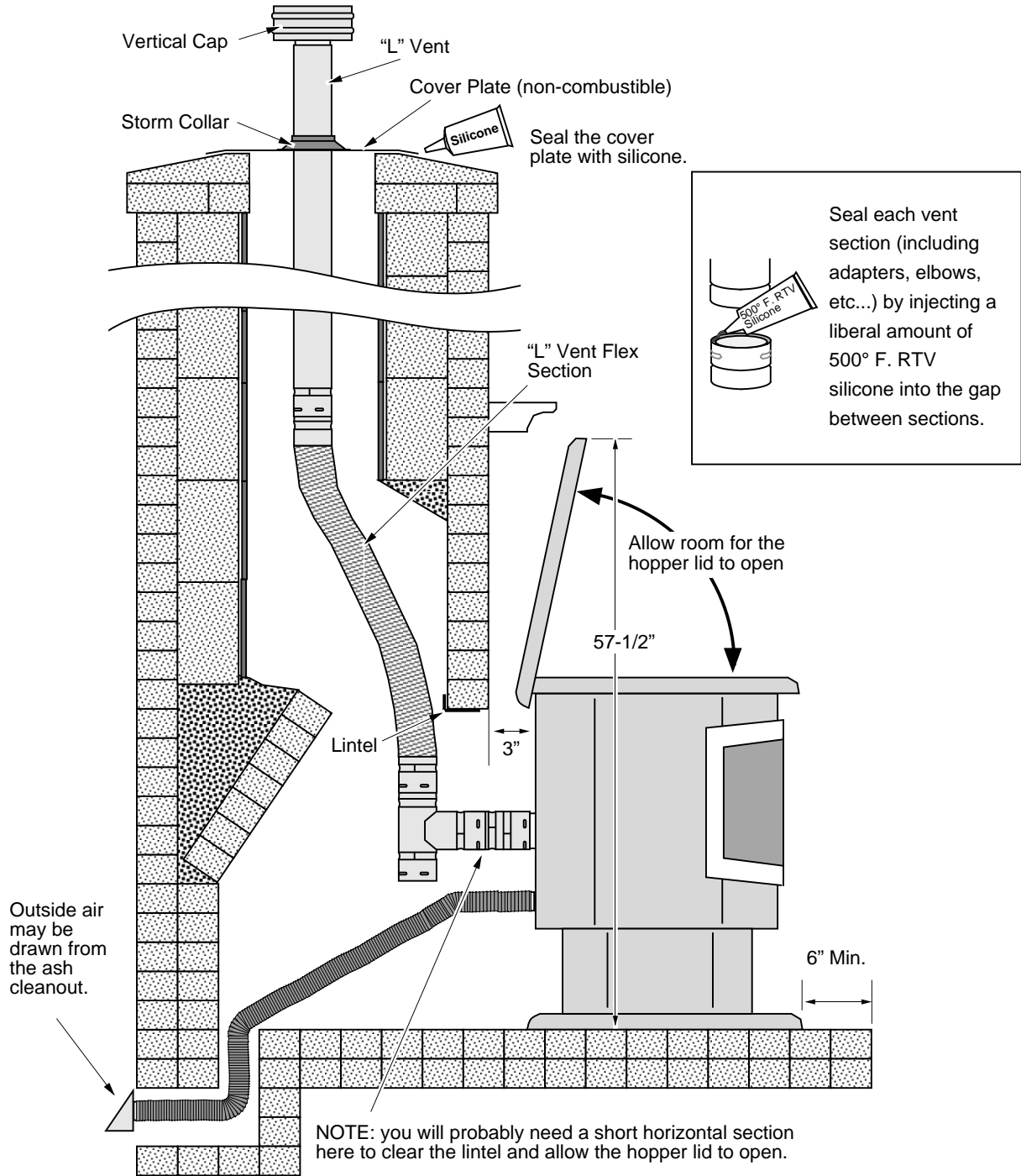
Installation Example: Interior Vertical Installation



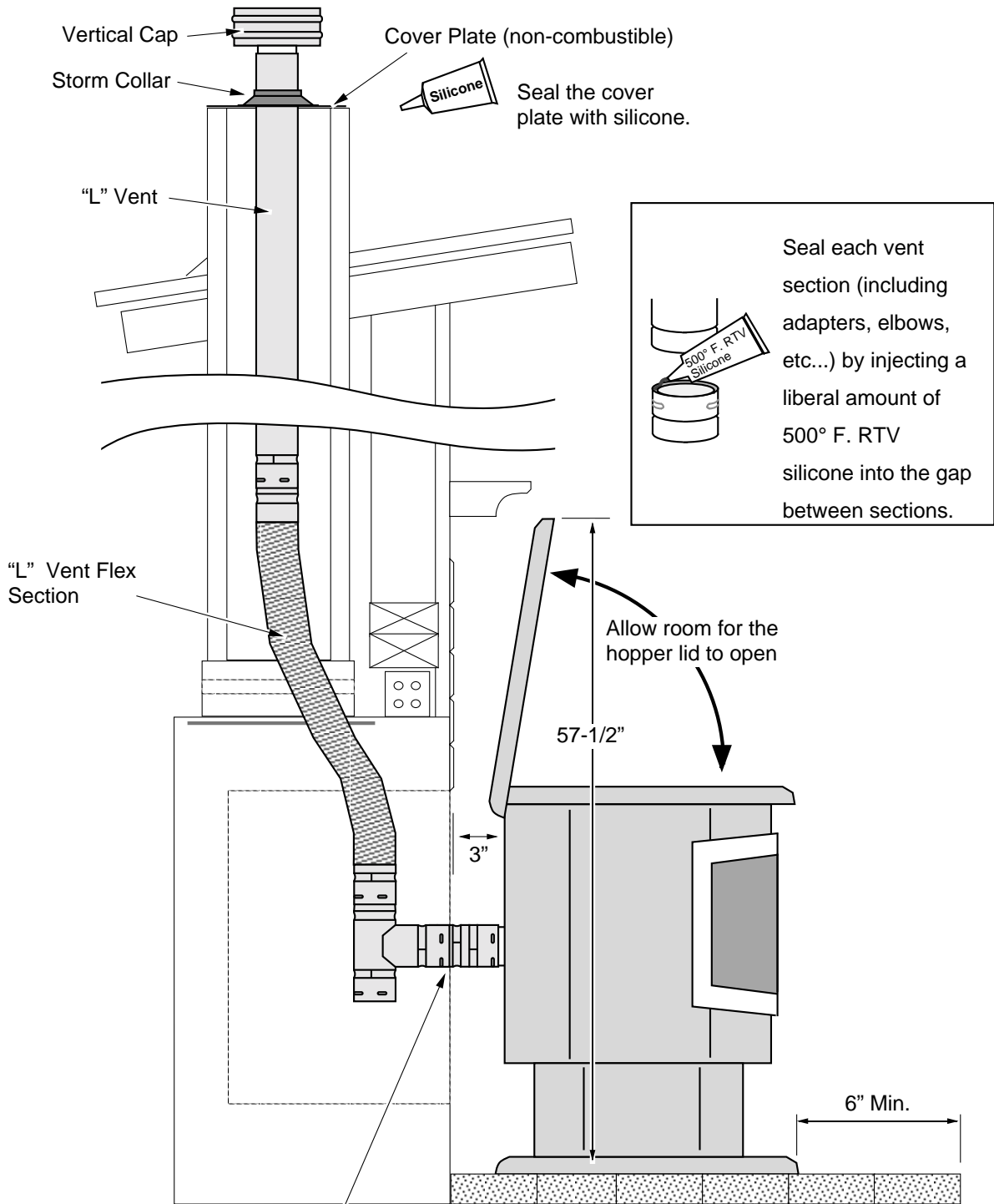
Installation Example: Class A Chimney Retrofit



Installation Example: Masonry Fireplace Hearth Stove

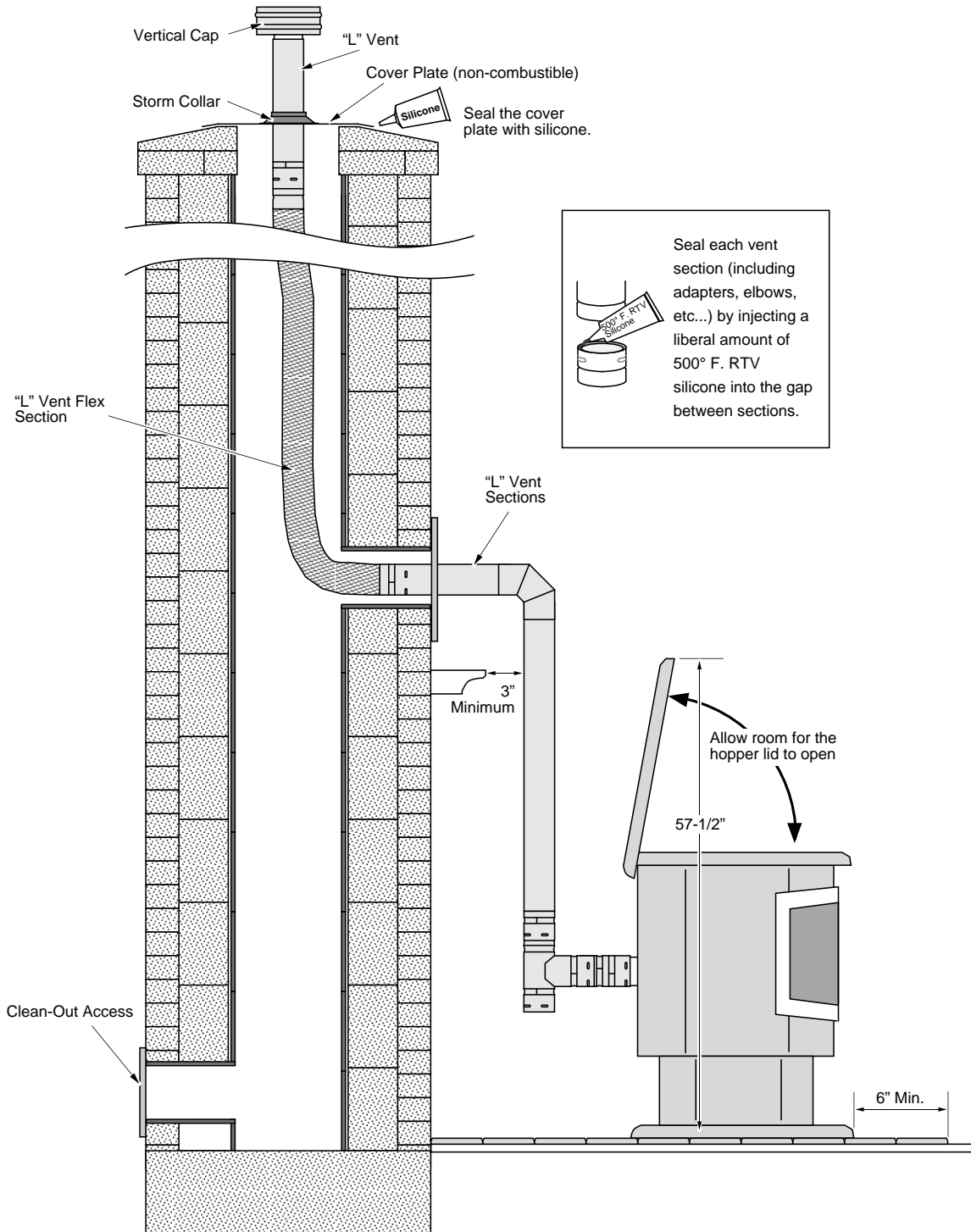


Installation Example: Zero-Clearance (Metal) Fireplace Hearth Stove



NOTE: you will probably need a short horizontal section here to clear the lintel and allow the hopper lid to open.

Installation Example: Freestanding Masonry Chimney

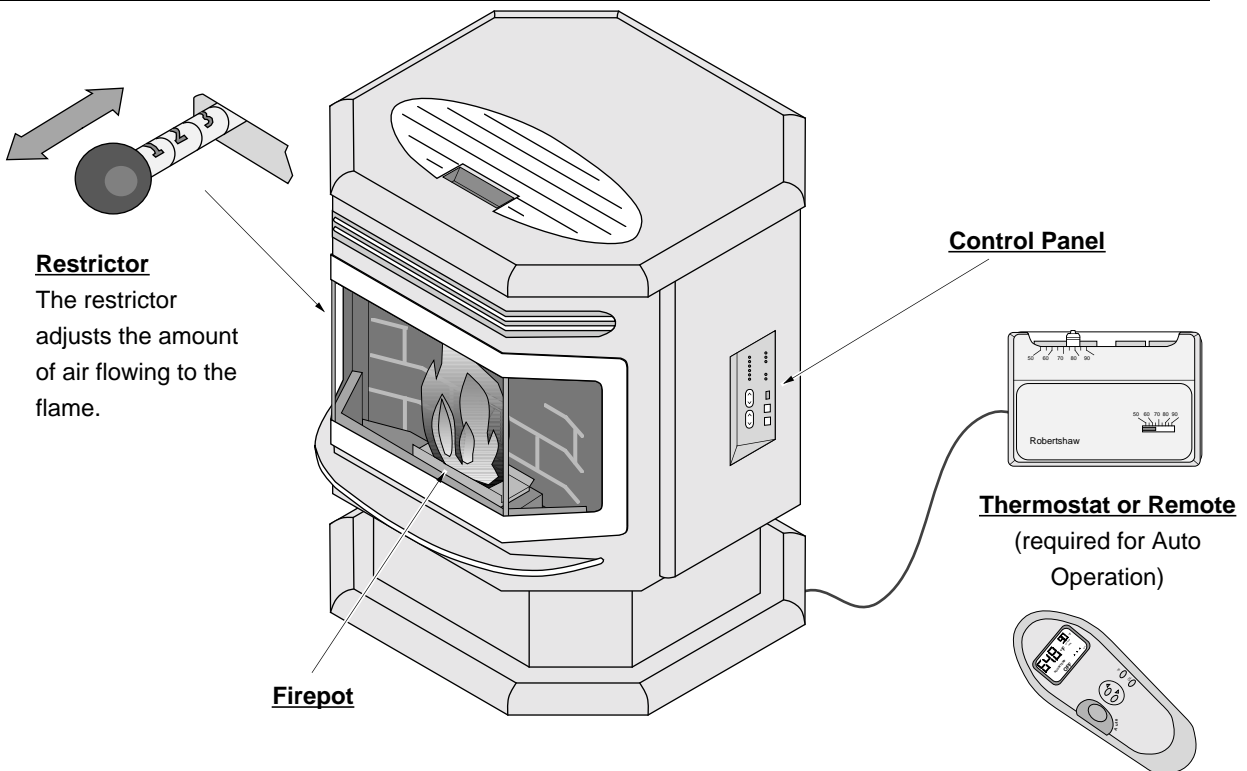


Safety Notice

Read this entire manual (especially the "Safety Precautions" on pages 4 and 5) before using this stove. Failure to follow the instructions may result in property damage, bodily injury, or even death.

- ! Do not unplug the stove to turn it off. This stove relies upon electricity to push the flue gases out the pellet vent – unplugging it may lead to smoke entering your room.
- ! Failure to maintain your heater will lead to a restricted combustion air system, leading to poor performance and in some cases, smoke spillage into the room. See the "Maintenance" section for details.

Location of Controls



Starting the Heater for the First Time

Start the Heater - Let it Burn for 1 Hour - THEN OPEN THE DOOR

The stove paint is cured through heat. To prevent it from bonding to the door gasket, you must burn the heater for approximately 1 hour, then open and close the door to break any bonding.

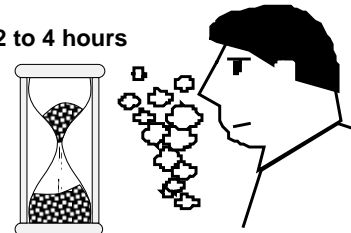
Curing the Paint

This stove uses a heat-activated paint that will emit some fumes while starting the first fire. Open doors and windows to the room to vent these fumes. You may also notice oil burning off of the interior of the stove. This rust-stopping agent will soon dissipate.

Priming the Auger

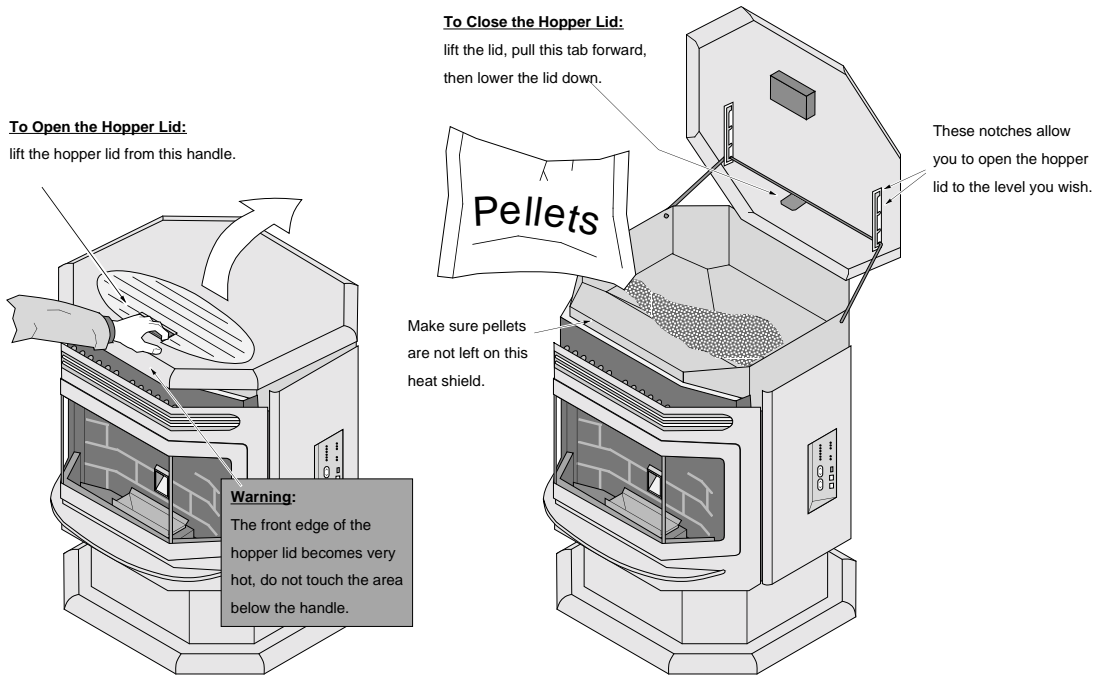
Because of its electronic control panel, this stove does not require priming. If you run out of pellets you may notice it will take approximately 5 minutes longer for the stove to start.

2 to 4 hours



Loading Pellets

Lift the hopper lid to its vertical position. Pour pellets into the hopper until full. **NOTE:** The hopper holds approximately 115 pounds of pellets.



The Two Modes of Operation:

Manual

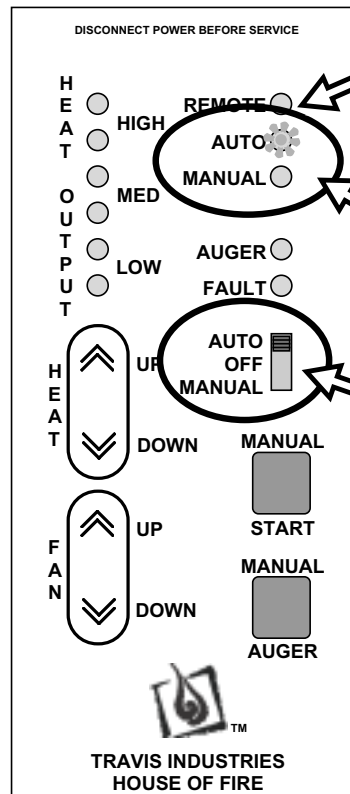
Manual mode requires the user to turn the heater on and off manually.

Auto (requires a thermostat)

Auto mode allows you to use a thermostat to control room temperature. The stove automatically turns on when the temperature drops below the thermostat setting. Once the stove reaches operating temperature, the stove then runs at the heat output setting selected.

Switching Modes While in Operation

Whenever the stove is switched from one mode to another while in operation, the stove will enter the "start-up" sequence for a minimum of 20 minutes.



NOTE: if using a modulating remote, this light will come on to indicate the remote is controlling the heater.

These indicator lights are used to determine which mode you are in.

Use the mode switch to determine the mode.

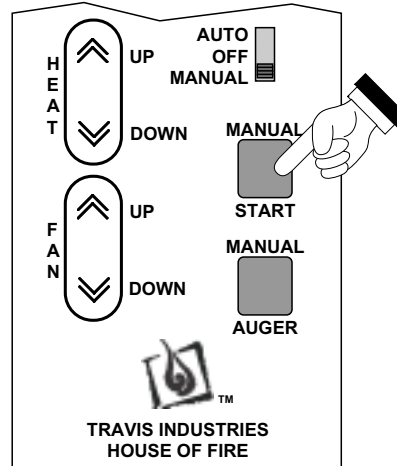
Manual Mode

Manual mode requires the user to turn the heater on and off manually.

To Start

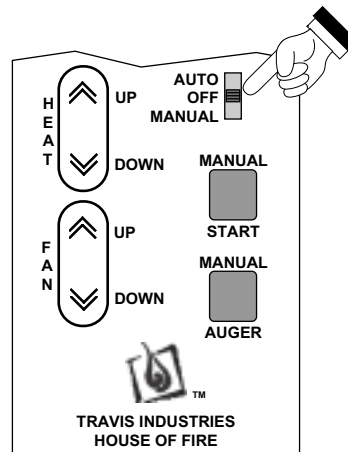
Press the "Manual Start" button. That's it. The stove automatically goes to a medium burn rate and high fan while the igniter starts the fire burning within 10 minutes. During this period the lowest "HEAT OUTPUT" light will flash. If the stove does not start in 30 minutes, the stove turns off.

Once up to temperature, the stove will then run at the heat output setting selected on the control panel (see "To Adjust the Heat" below).



To Shut Down

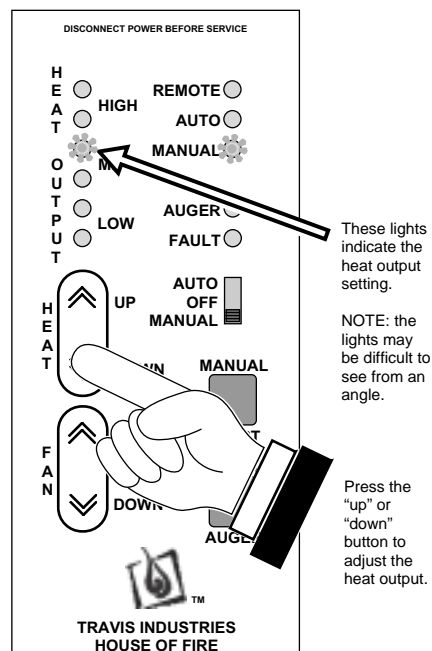
Move the mode switch to "OFF". The exhaust blower will still run until the heater cools down.



To Adjust the Heat

Press the "Heat" buttons to adjust the heat output.

NOTE: During start-up you may adjust the heat setting. This heat setting will take affect once the start-up sequence is complete.

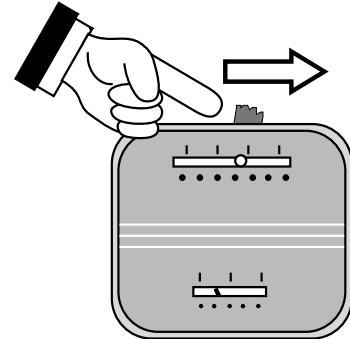


Auto Mode

Auto mode allows you to use a thermostat to control room temperature. The stove automatically turns on when the temperature drops below the thermostat setting. Once the stove reaches operating temperature, the stove then runs at the heat output setting selected.

To Adjust Room Temperature (or Start the Stove)

Move the thermostat to the heat setting desired. If the room is cooler than the setting, the stove will go through the start-up sequence for approximately 10 minutes. During this period the lowest "HEAT OUTPUT" light will flash. Once up to temperature, the stove will then run at the heat output setting selected on the control panel. If the room is too hot, move the thermostat to a lesser setting.



To Adjust the Heat

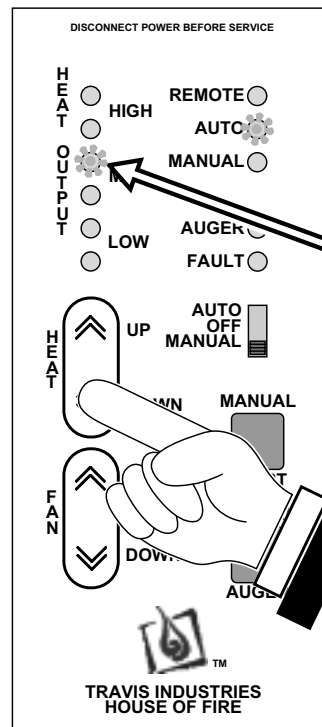
Press the "Heat" buttons to adjust the heat output.

HINT:

If you find that the stove turns on and off repeatedly, you may wish to turn the heat output to a lesser setting. The lower setting will provide a more consistent heat output over time, eliminating the need for the thermostat to repeatedly turn the stove off.

NOTE:

If the thermostat calls for heat while the stove is still cooling down, the stove will go through the start-up sequence (for a minimum of 20 minutes).



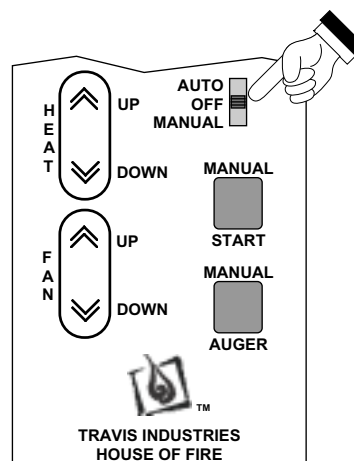
These lights indicate the heat output setting.

NOTE: the lights may be difficult to see from an angle.

Press the "up" or "down" button to adjust the heat output.

To Shut Down

Move the mode switch to "OFF". The exhaust blower will still run until the heater cools down.



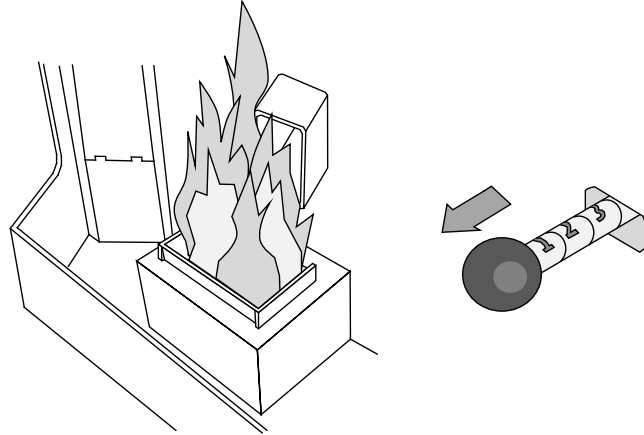
Restrictor Adjustment

The exhaust restrictor “fine tunes” your appliance, adjusting the amount of air flowing to the flame.

NOTE: the optimal restrictor position will vary over time as soot builds up inside the exhaust system.

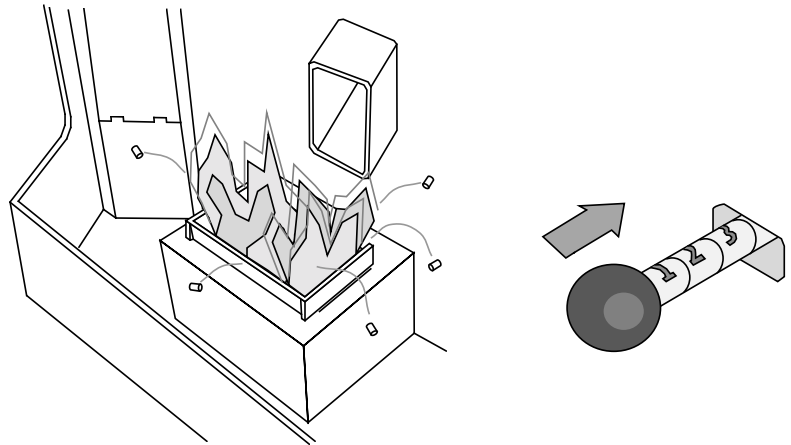
Not Enough Air:

If clinkers develop or the flame appears lazy and slow to blow the ash out of the firepot, pull the restrictor outward until the flame becomes active and the firepot holes remain clean. **NOTE:** If the restrictor is fully out (“5”), yet the firepot does not remain clean, the stove needs to be cleaned and checked for air leaks (see “Maintenance” section of this manual).

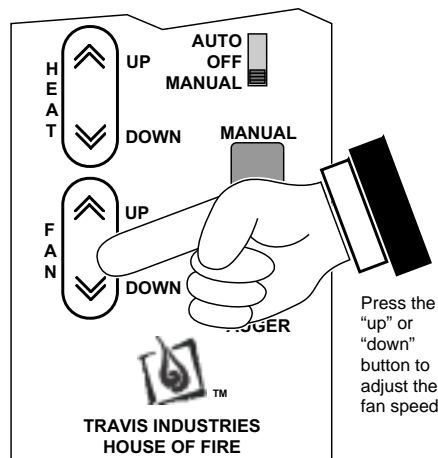


Too Much Air:

If the flames are too active (small, flickering flames) or if burning pellets are expelled from the firepot, move the restrictor rod inwards until the flame slows down and no burning pellets are expelled. Another symptom of too much air is the heater “blowing the fire out” – a condition in which the pellets burn faster than they are fed (this is most common on low).



Adjusting the Fan Speed



Press the “up” or “down” button to adjust the fan speed.

Start-Up Sequence

This stove utilizes a start-up sequence whenever the mode switch is changed or the heater is started when cold. This is to ensure proper operation through all possible settings and operational states (hot or cold, pellets burning or not burning, etc.). This sequence over-rides all user settings (except the "OFF" position) to set the auger feed rate to medium, the exhaust blower to high, and the igniter on. During this period the lowest "HEAT OUTPUT" light will flash.

"MANUAL AUGER" Button

This button turns the auger on. It is used to "prime" the auger after the hopper has run out of pellets.

"AUGER ON" Light

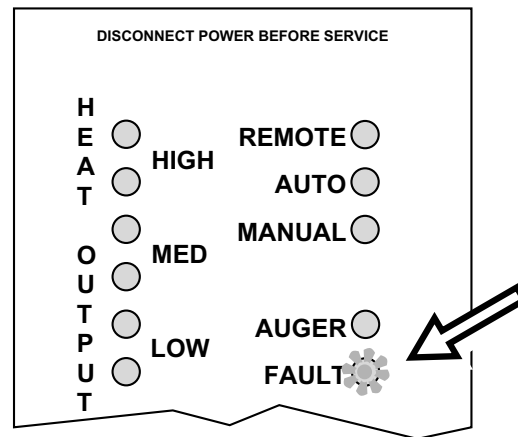
This light comes on when the auger is turning. This allows the operator to determine when the auger is turning.

"FAULT" Light

This light comes on when an error occurs:

- The stove runs out of pellets
- During initial start-up (for a split second) or for improper electrical frequency
- A start-up sequence that does not result in the heater coming up to temperature

To reset the fault light, turn the mode switch to off and re-start the stove.



Fault Codes (for qualified service personnel only)

Fault and #2 (LOW) Light Flash = Flow Switch Fault

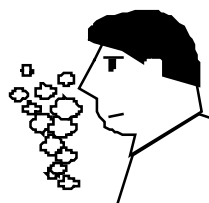
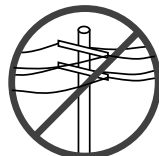
Fault and # 4 (MID) Light Flash = System Snap Disk Fault (pellets run out & stove goes cold)

Fault and # 6 (HIGH) Light Flash = Safety Snap Disk Fault

Power Outages

If a sustained power outage occurs while in "Manual", the stove will go to a "cool down" mode to vacate smoke once power returns. If the power outage was short, the heater will go to the start-up sequence. If in "Auto", the stove will re-start (if the room is cool).

- ! Because this stove relies upon a blower to evacuate the smoke, some smoke may enter the home during a power outage. To keep to a minimum, leave the door closed.

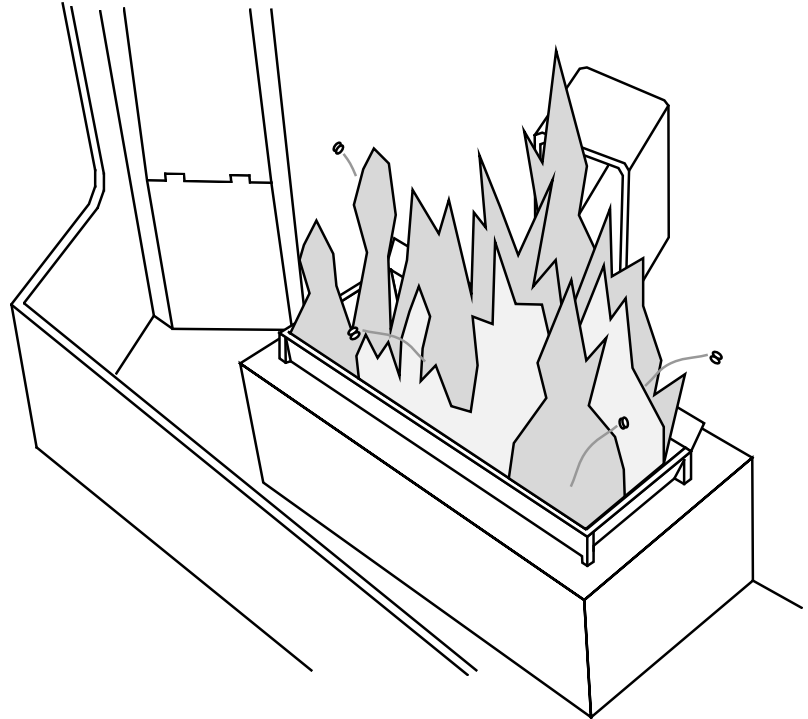


Daily Maintenance (whenever using the stove)

Inspect the Burn

When burning on high, the flames should be bright orange with embers jumping from the firepot.

NOTE: the optimal restrictor position will vary over time as soot builds up inside the exhaust system. See "Restrictor Adjustment" for details.

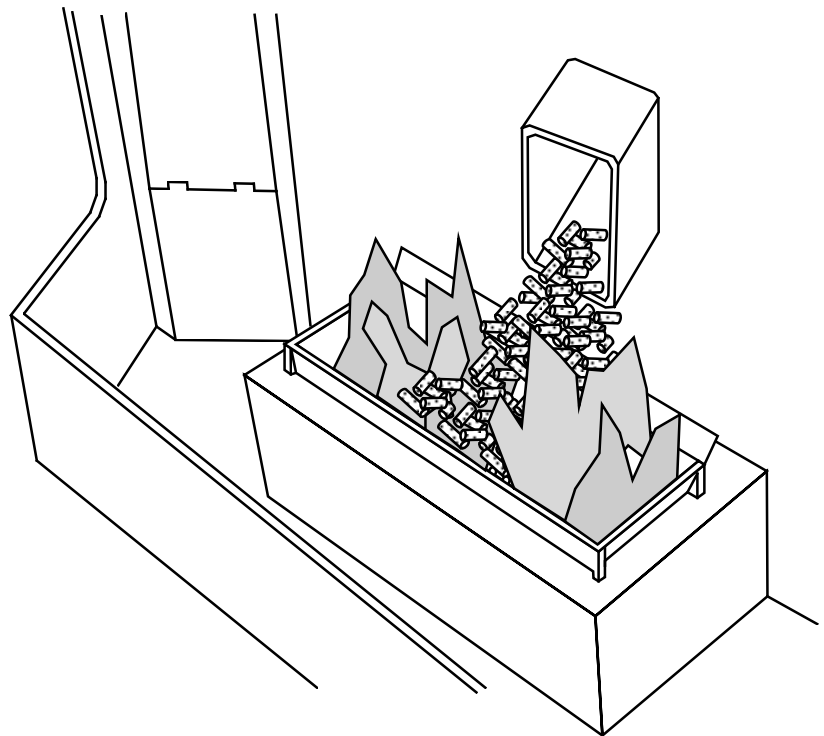


Make Sure Pellets are Not Piling Up

If the pellets pile up over the burn pot, turn the mode switch to "OFF".

The most likely causes are:

- Restrictor needs adjustment (see "Restrictor Adjustment" in the installation section of this manual)
- The door, glass, or ashpan is open or has an air leak
- The firepot requires cleaning
- The exhaust system requires cleaning

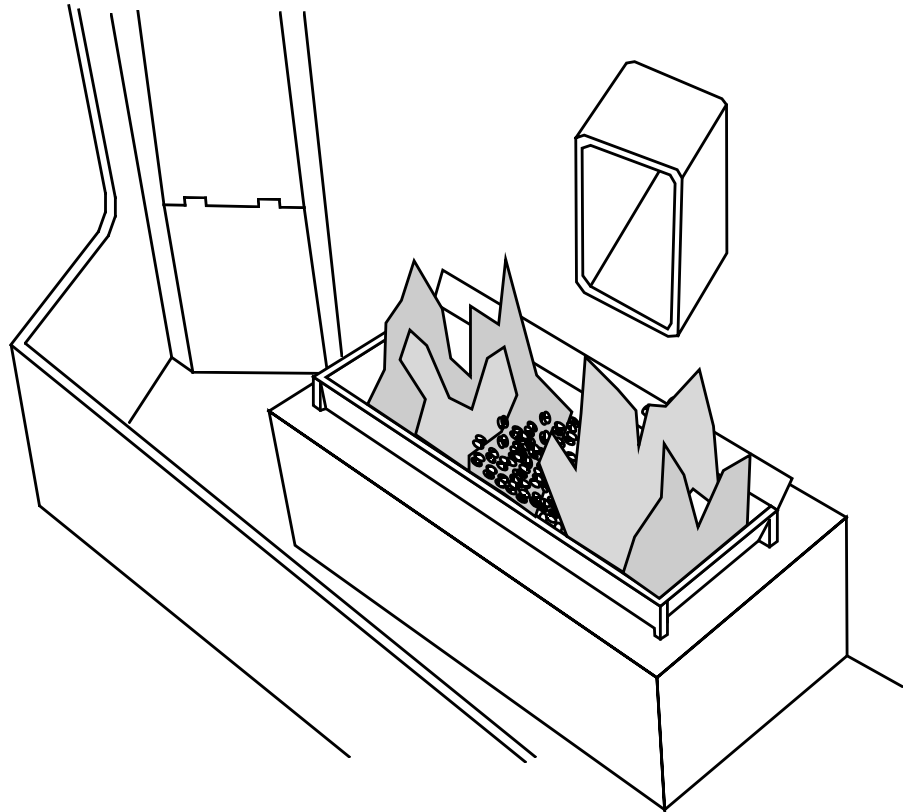


Daily Maintenance (whenever using the stove) - Continued**Check Firepot for Clinkers**

If the flames seem to be coming only from the sides, or are orange/black, turn the heater off and check for clinkers.

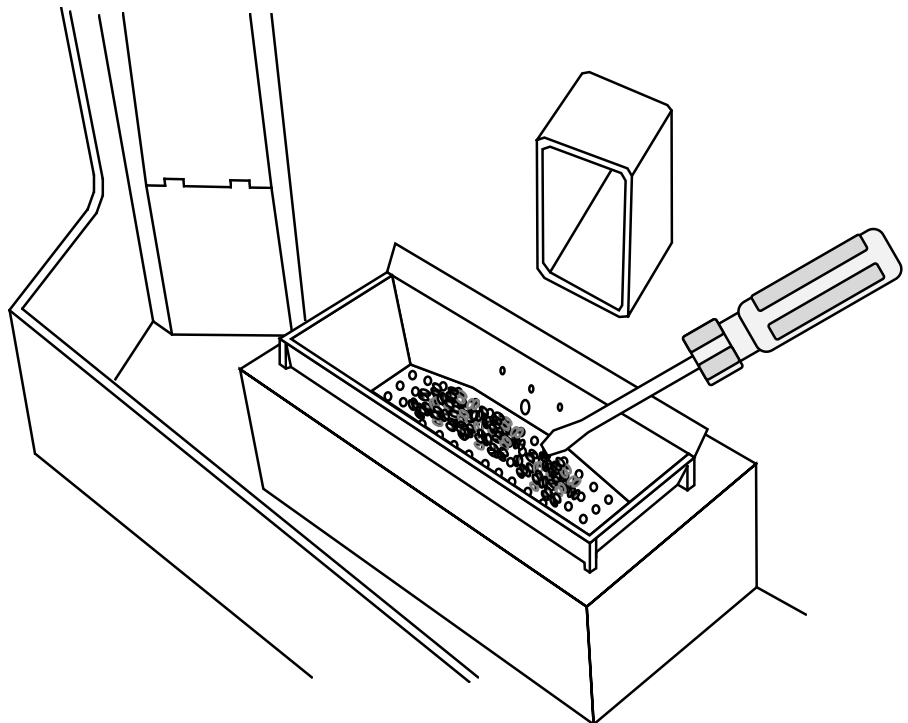
The most likely causes are:

- Restrictor needs adjustment (see "Restrictor Adjustment" in the installation section of this manual)
- Poor pellet quality
- The door or glass has an air leak
- The exhaust system requires cleaning

**Cleaning the Firepot****WARNING:**

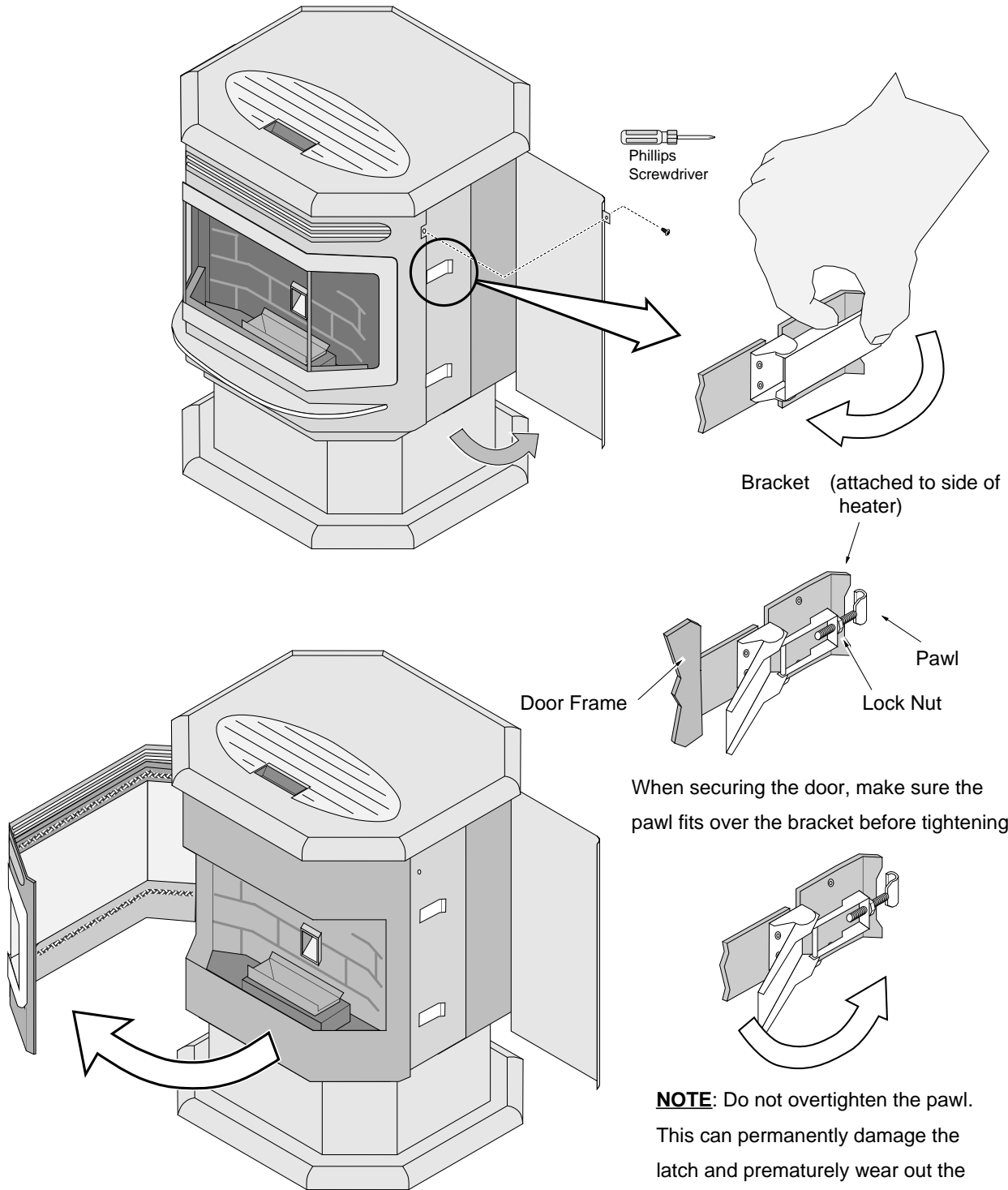
Make sure the heater has fully cooled (approximately 25 minutes) before opening the door and conducting service.

To clean the firepot, open the door (see page 27) and knock away any debris on the firepot with a screwdriver. If severely clogged, remove the firepot to gain better access.



Door Opening

WARNING: Make sure the heater has fully cooled (approximately 25 minutes) before opening the door.



When securing the door, make sure the pawl fits over the bracket before tightening.

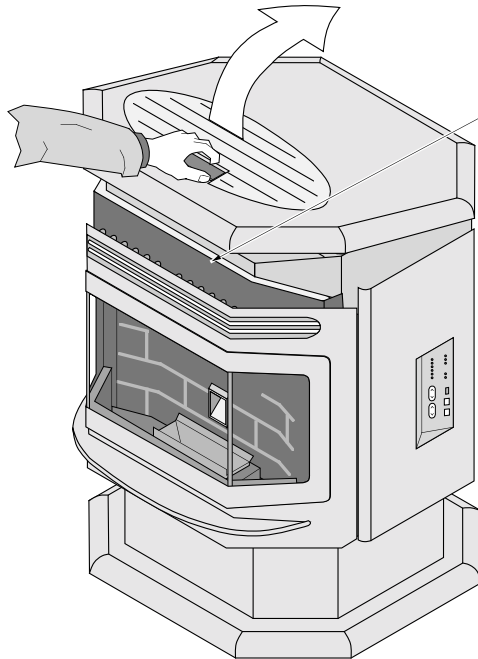
With the pawl free of the bracket, the door may be swung open.

NOTE: Do not overtighten the pawl. This can permanently damage the latch and prematurely wear out the door gasket.

Bi-Weekly Maintenance (or every 10 bags of pellets)

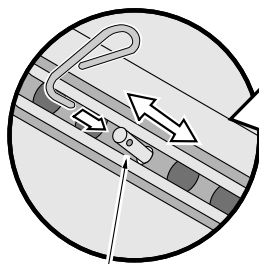
Clean the Heat Exchange Tubes

Open the hopper lid.



WARNING:

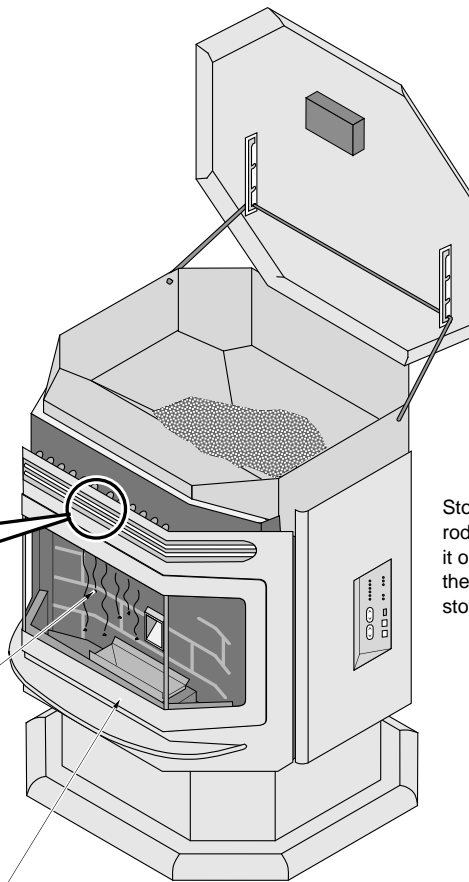
The front edge of the hopper lid becomes very hot, do not touch the area below the handle.



Heat Exchanger
Cleaning Rod

With the door closed, insert the included tool into the hole on the heat exchanger cleaning rod. Move the heat exchange cleaner up and down several times.

Keep the door closed so the flyash does not enter the room.



Store the scraper rod tool by hanging it on the hanger on the back of the stove.

Vacuum Hopper

Run the stove until the pellets run out. Open the hopper and vacuum out the entire hopper. The dust and any other debris near the bottom should be removed to prevent excessive build-up.

Cleaning the Optional Gold Surfaces (Door and optional Grill)

Fingerprints or other marks left on gold surfaces may become etched in place if they are not wiped clean prior to turning the stove on. Clean the gold with denatured alcohol and a soft cloth (make sure the heater is cool). Other cleaners may leave a film that may become etched into the gold.

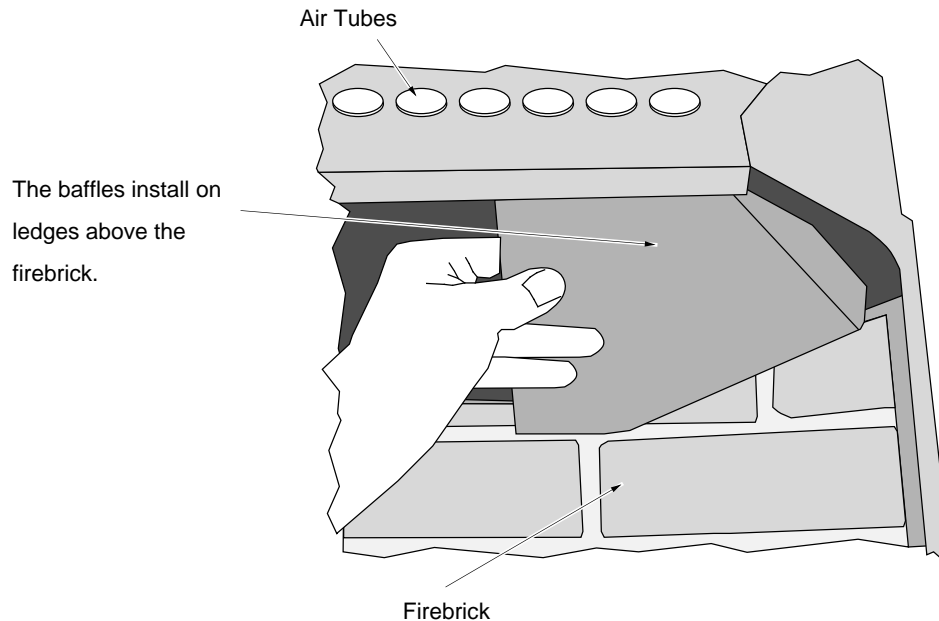
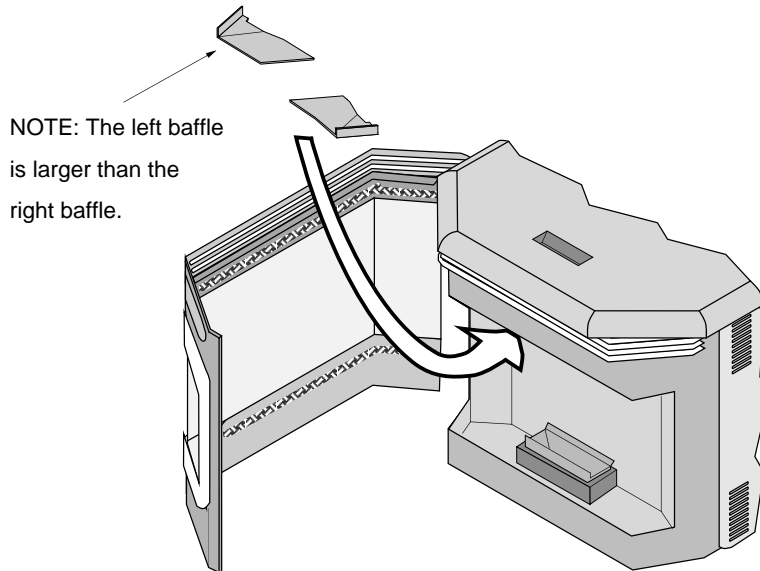
Bi-Weekly Maintenance (or every 10 bags of pellets) - Continued

Clean the Baffles

Use both hands to lift each baffle up and forward. Then tilt the baffle downward to remove any flyash that may have accumulated on top of the baffle.

NOTE: you do not need to remove the baffle from the firebox.

The firebox baffles install on ledges at the top of the firebox. The two tabs (at the outside back corners) insert into notches at the right and left rear corners of the firebox walls.



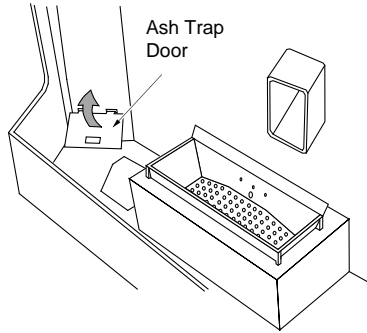
Sweep Ash Into Ashpan

HINT: The more often you clean out the flyash, the more efficient your heater will burn.

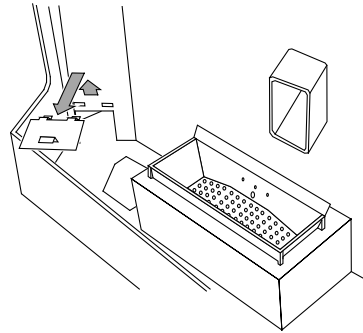
WARNING:

The firebox becomes very hot during operation. Let the stove cool completely before conducting service.

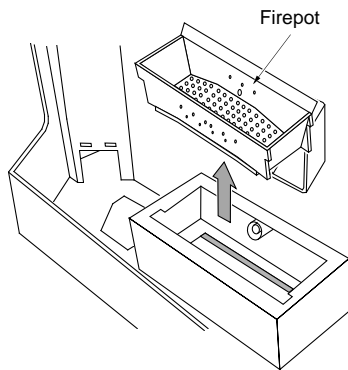
- (a) Swing the side ash trap door up.



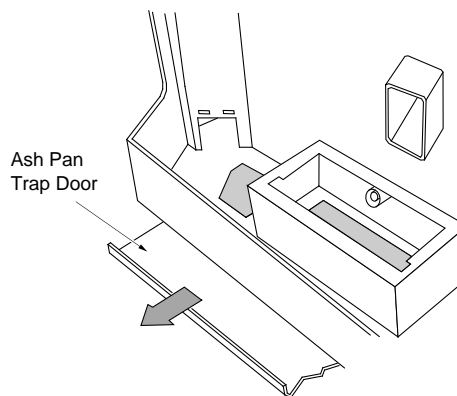
- (b) Lift it up and away from the firebox. Repeat for the opposite side.



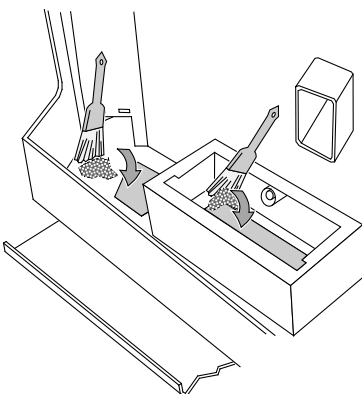
- (c) Lift the firepot out of its holder.



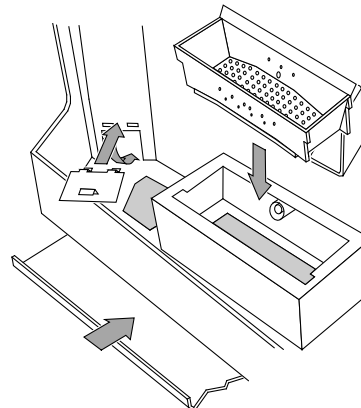
- (d) Slide the ash pan trap door forward to expose the ash dumps (the door can be removed and cleaned if necessary)



- (e) Brush all flyash into the ash dumps, including the flyash inside the firepot holder.



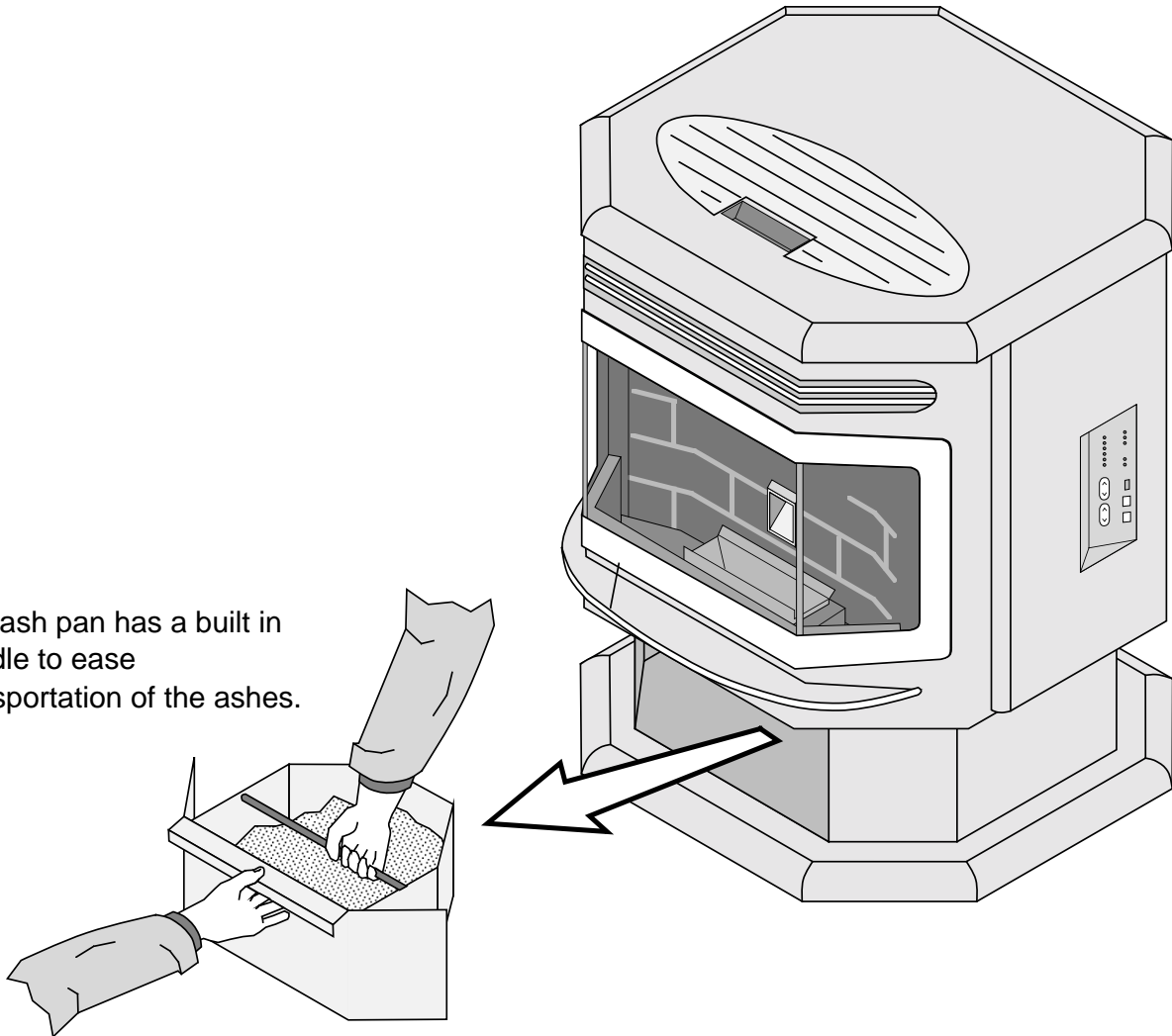
- (f) Replace the ash trap doors and firepot. Slide the ash pan trap door forward.



Bi-Weekly Maintenance (or every 10 bags of pellets) - Continued

Check Ashpan, Dispose if necessary

The ash pan has a built in handle to ease transportation of the ashes.



NOTE:

When replacing the ash pan make sure it is pushed all the way in.

Disposal of Ashes – Ashes should be placed in a metal container with a tight fitting lid. The closed container of ashes should be placed on a noncombustible floor or on the ground, well away from all combustible materials, pending final disposal. If the ashes are disposed of by burial in soil or otherwise locally dispersed, they should be retained in the closed container until all cinders have been thoroughly cooled.

Clean the Glass

Open the door and clean the glass with a non-abrasive glass cleaner and rag. This will increase the amount of light and heat given off by the heater.

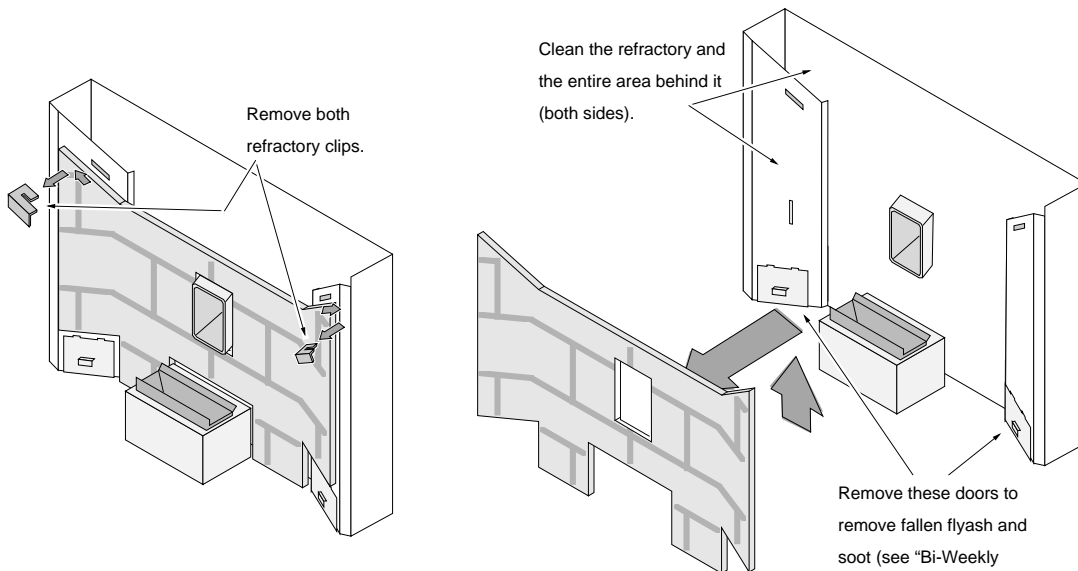
Yearly Maintenance (or every two tons)

WARNING: Disconnect the power cord prior to conducting service.

The following section details extensive maintenance procedures. We strongly suggest these items be carried out by a trained service technician, possibly by a service agreement set up with your dealer.

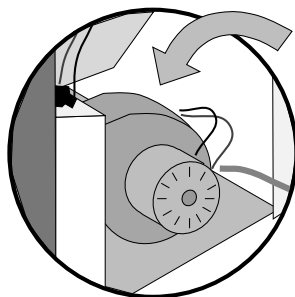
Soot and Flyash: Formation and Need for Removal – The products of combustion will contain small particles of flyash. The flyash will collect in the exhaust venting system and restrict the flow of the flue gases. Incomplete combustion, such as occurs during startup, shutdown, or incorrect operation of the room heater will lead to some soot formation which will collect in the exhaust venting system. The exhaust venting system should be inspected at least once every year to determine if cleaning is necessary.

Clean the Vertical Exhaust Duct (the stove must be cool and unplugged)

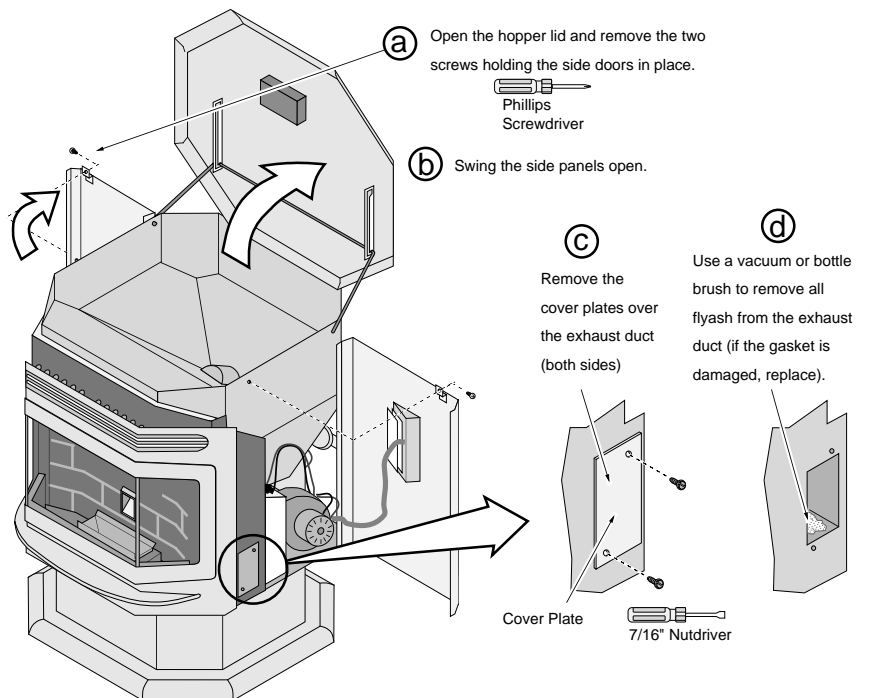


Clean the Exhaust Duct (the stove must be cool and unplugged)

Clean the Convection Blower (the stove must be cool and unplugged)



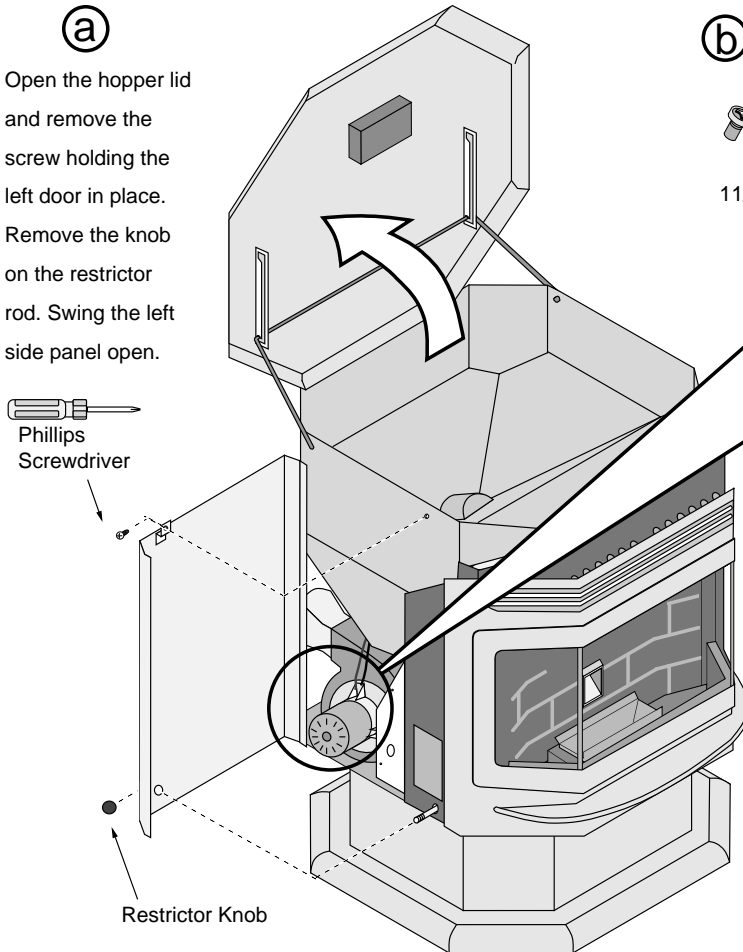
The convection blower inlet can be vacuumed out (if needed). If extensive cleaning is needed, it can be removed for cleaning.



Yearly Maintenance (or every two tons) - Continued

Clean the Exhaust Blower (make sure the stove is cool and unplugged)

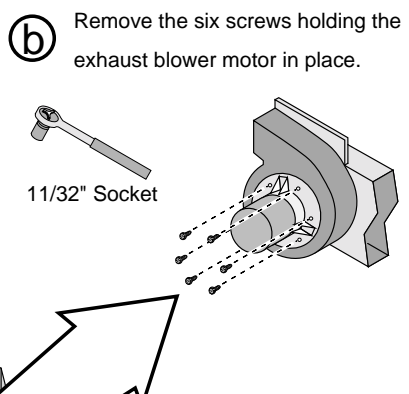
(a) Open the hopper lid and remove the screw holding the left door in place. Remove the knob on the restrictor rod. Swing the left side panel open.



Phillips Screwdriver

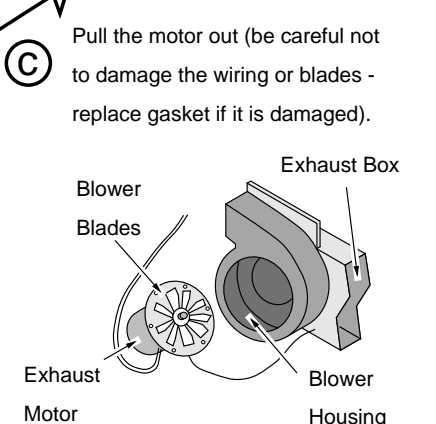
Restrictor Knob

(b) Remove the six screws holding the exhaust blower motor in place.



11/32" Socket

(c) Pull the motor out (be careful not to damage the wiring or blades - replace gasket if it is damaged).



Blower Blades

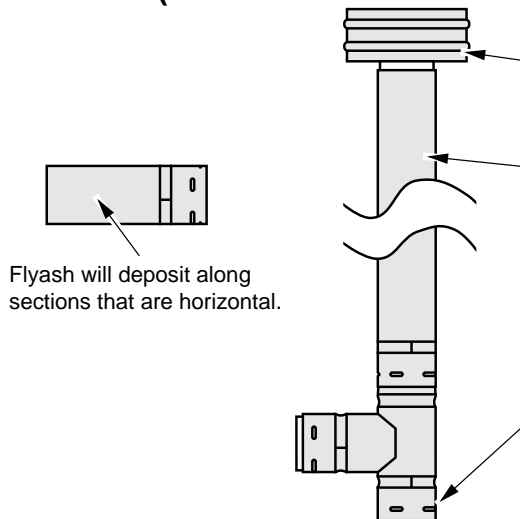
Exhaust Motor

Exhaust Box

Blower Housing

(d) Clean the blower blades, blower housing, and exhaust box. You may wish to use a

Clean the Vent (make sure the stove and vent is cool)



Flyash will deposit along sections that are horizontal.

Make sure the cap is free of debris (especially if it has a screen that could become blocked).

Check the vent sections for creosote accumulation (indicating a poorly burning stove). Accumulation over 1/4" must be removed.

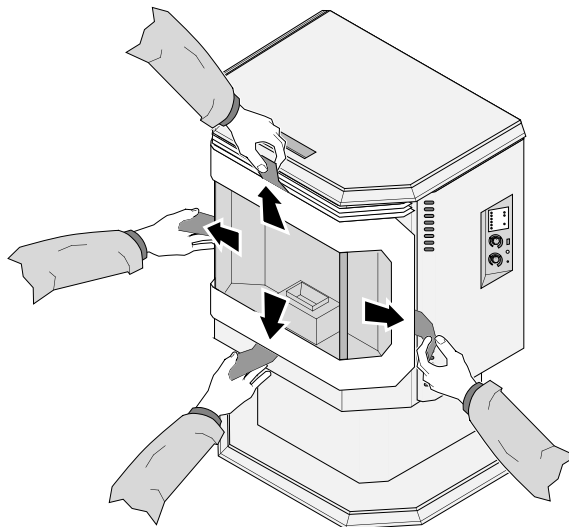
On vertically vented systems, the dirtiest portion is often the point where the vent turns upwards (i.e. the "Tee"). Fortunately, the "Tee" has a built-in clean out cover. Remove the cover and vacuum out. While open, use a flashlight to look up the pellet vent to check for build-up.

Warning: Whenever any portion of the pellet vent is disconnected, the joints must be sealed with RTV 500° F. silicone sealant.

Yearly Maintenance (or every two tons) - Continued

Door Seal

- ! Air leaks into the firebox will decrease the stove's performance greatly, leading to excessive sooting, inefficient burning, and perhaps a malfunction.
- The door gasket must contact the entire perimeter of the door and create an air-tight seal. To verify this, open the door, hold a dollar bill against the body of the heater, close the door, and secure the latch. The dollar bill should be held firmly in place (check the entire perimeter of the door. If it is loose or falls out, the door must be adjusted (see the following page).

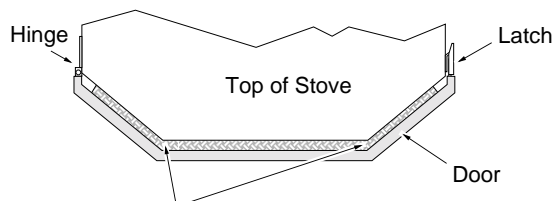


Correctly Aligned Door

When properly adjusted, the door should be evenly spaced from the front of the stove (and shut tight, compressing the gasket).

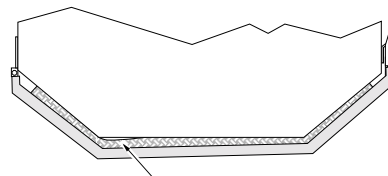
Door Alignment

Because the door is three-sided, it is crucial the door is aligned correctly. We recommend that you open the hopper lid and look down upon the door and body of the heater. Use the illustration to the right to determine the correct door alignment.



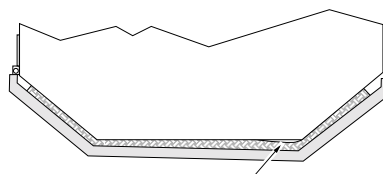
Note how both corners are evenly spaced.

Latch Too Tight - In the illustration below, the latch is too tight (this is the most common misalignment). Loosen the latch and tighten the hinge.



Note how the gasket separates from the body.

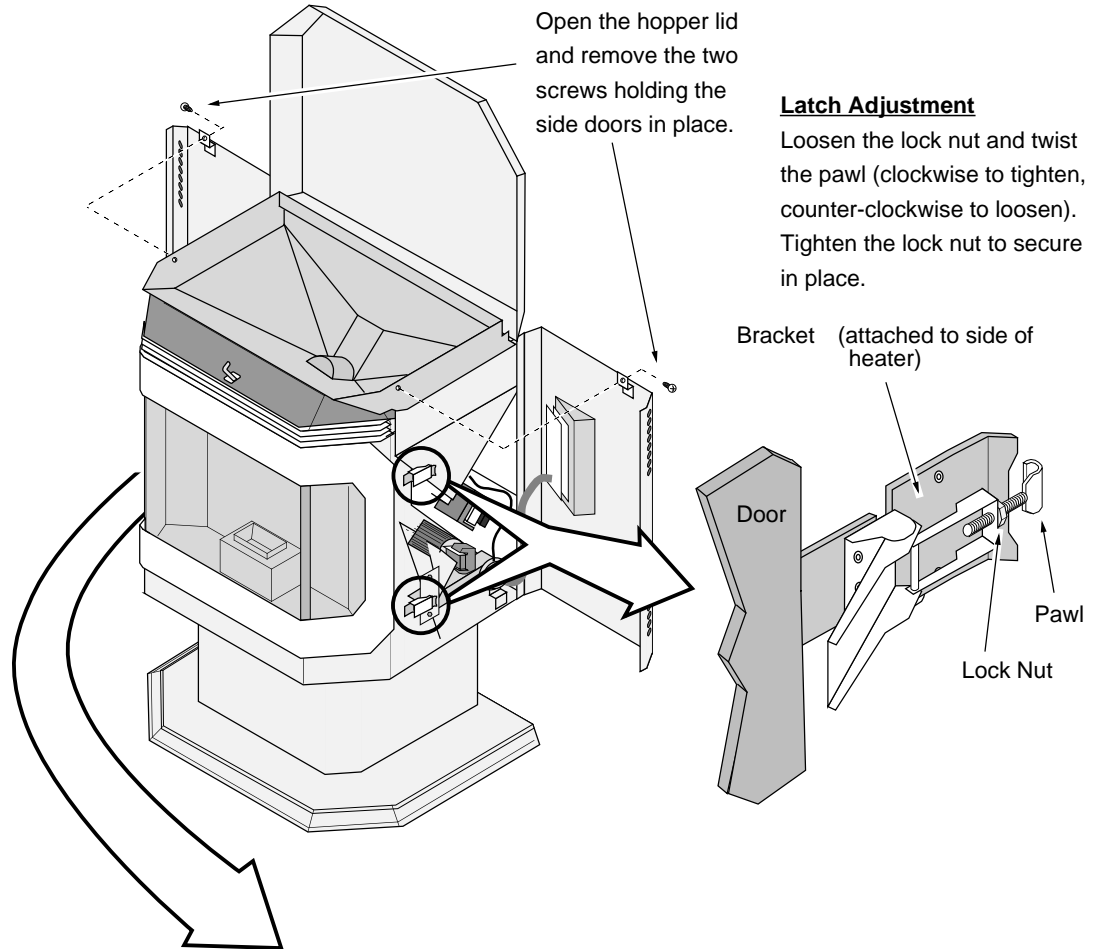
Hinge Too Tight - In the illustration below, the hinge is too tight. Loosen the hinge and tighten the latch.



Note how the gasket separates from the body.

Adjusting the Door Hinge and Latch

- The door hinge and door latches may be adjusted to pull the door closer to the body. The illustration below details how to adjust these components. NOTE: Make sure to read the section "Door Alignment" on the previous page before adjusting the door.



Latch Adjustment

Loosen the lock nut and twist the pawl (clockwise to tighten, counter-clockwise to loosen). Tighten the lock nut to secure in place.

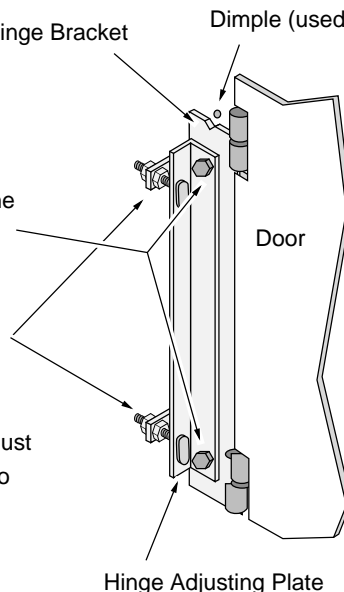
Door Hinge Bracket Dimple (used to monitor hinge bracket position)

Hinge Adjustment

(1) With the door closed, loosen the two bolts going through the door hinge bracket.

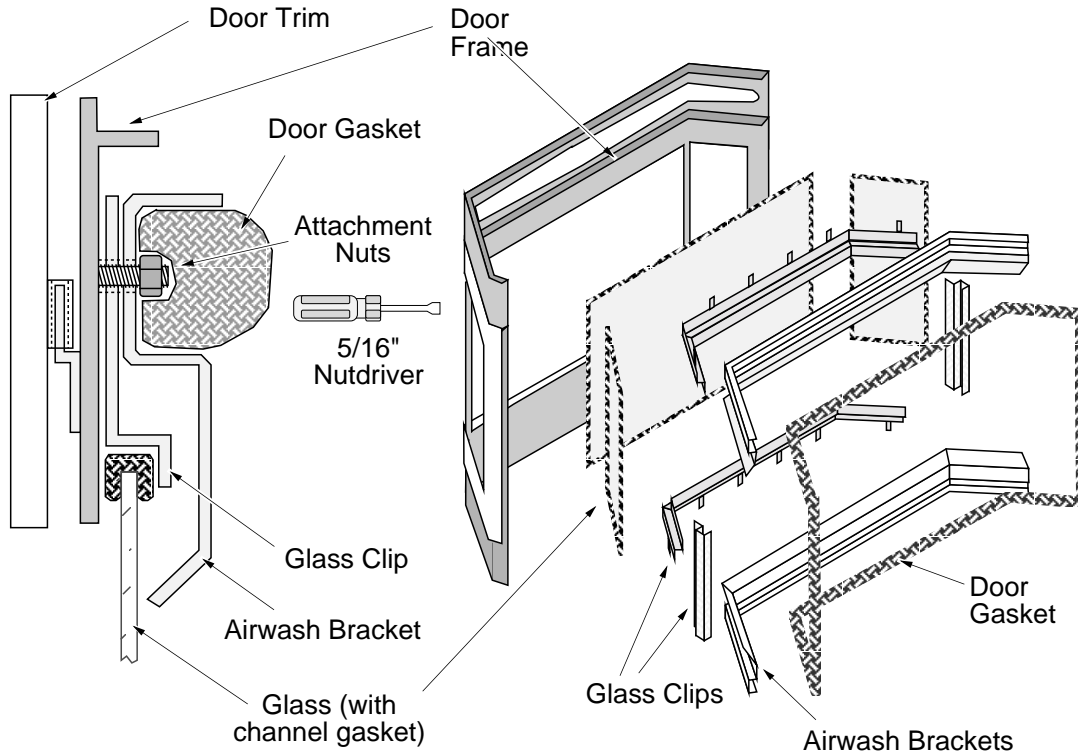
(2) Loosen the four nuts used to move the hinge adjusting plate. Tighten or loosen these nuts to adjust the door hinge bracket. Adjust the upper and lower nuts equally to insure the door remains level. Tighten the four nuts.

(3) Tighten the two bolts loosened in



Check for Air Leaks Around the Door, Glass, and Ashpan

- ! Air leaks into the firebox will decrease the stove's performance greatly, leading to excessive sooting, inefficient burning, and perhaps a malfunction.
- Inspect the door gasket to make sure it is fully attached. Use stove gasket cement to re-attach if necessary. If the door gasket is worn or flattened, replace.
- If the glass is cracked, replace. The glass is held in place by glass clips that are underneath the airwash brackets. See the illustration below for details.
- Remove the ashpan and inspect the gasket around the perimeter of the ashpan. Re-attach, or replace the gasket if necessary.



Replacement Parts

ASH DUMP PLATE, LARGE PS/PI	91002022	GASKET, DOOR 7/8" x 85" WHITE ROPE	99900431
ASHTRAP DOORS	93005054	GASKET, GLASS 5/8"x137" BLACK	99900398
AUGER BEARING PLT, LOWER, LRG	91002024	GLASS, FRONT, P12/14, P13	91002004
AUGER BUSHING PLATE, UPPER	93005093	GLASS, SIDE, P12/14, P13	91002005
AUGER DRIVE COLLAR, 1997 & UP	91002021	GROMMET, IGNITOR WIRE BLACK RUBBER	100-02811
AUGER FLIGHT INSPECTION COVER	210-02702	GSKT, CLEAN-OUT CVR, 3.250 x 2.750	100-03235
AUGER FLIGHT, 2000+ LRG PEL	91002013	GSKT, COMB BLOWER (BODY)	100-03206
AUGER MOTOR STOP, P11-P15	93005096	GSKT, COMB BLOWER(MOTOR) 7" dia	100-03231
AUGER MOTOR, ALL PS/PI	90-0191	GSKT, EXHAUST PLATE 4.25"x4.25"	100-03230
AUGER SUB-ASSY - LARGE PEL	91002020	HANDLE, HOPPER LID	100-04312
BLOWER, COMB, PELLET	93005535	HANDLE, PEL CNTRL BOARD 97	99300094
BLOWER, CONV, P2-8/11-15/G1	98900755	HINGE PLATE ASS'Y	91002017
BRUSH, BROOM STYLE - PELLET	100-04301	HOSE NIPPLE, BARBED	100-04307
BURNPOT ASSY, FIREPOT	99300171	IGNITER, LG PS/PI	99300149
CABLE HANGER CLIP	100-04310	KNOB (PHENOLIC), 3/4" dia	100-04241
CNTRL BRD, LG PEL (P13-15)	100-00203	LBL, EXHAUST DAMPER	112-00505
CORD RESTRAINER	100-00112	MAGNET w/OUT SHEATH 1x.75" 1/4" THICK	100-02801
DAMPER PLATE S-ASSY - LRG PS	221-22089	OIL PAN, COMB BLOWER - LG PEL	210-03216
DRAFT (FLOW) SWITCH	93005060	POWER CORD, PS/PI	93005015
DRAFT FLOW TUBING	99300164	REFRACTORY SIDE CLIP, LEFT	210-03831L
FIRE-BACK, CAST IRON,	93005059	REFRACTORY SIDE CLIP, RIGHT	210-03831R
FIREBOX BAFFLE, LEFT	210-05199	SCRAPER ROD (P12/13/14)	211-01660
FIREBOX BAFFLE, RIGHT	210-05198	SNAP-DISC - 120deg CERAMIC NO	100-00232
FUSE HOLDER (IN-LINE)	100-00210	SNAP-DISC - 120deg NO # NO	100-00231
FUSE, 5AMP, 5 - FOR INLINE	93-0695	SNAP-DISC - 200deg NC # NC	100-00233
FUSE, 6AMP, 5 - CONTROL BOARD	93005019	TOOL, GLASS LATCH/RESTRICTOR	100-02302
GASKET CEMENT (WHITE), 4oz.	99900409	WIRE HRNS, PEL, JUMPER, LRGPELLET	100-00390
GASKET, ASPAN 70" BLK 1/2"x1/8" ADH	99900428	WIRE HRNS, PEL, PS/PI 97 & UPLARGE OR SMALL	100-00391

Exhaust Blower

This blower may create a low-pitched hum. This sound will change as the HEAT OUTPUT is altered.

Auger Motor

When feeding pellets, you may hear the intermittent buzz of this motor running.

Heat Exchanger Tubes

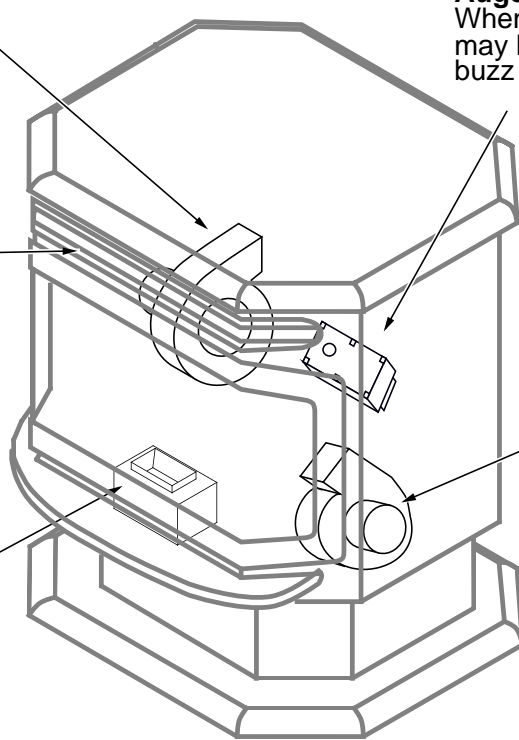
You may hear the heated air being forced through these tubes by the convection fan.

Convection Fan

The modern high efficiency fan may produce a low hum, particularly on "HIGH". This sound will change as the FAN setting is changed.

Firepot

As pellets are fed into the firepot, a light clicking sound may be heard.



WARNING - DO NOT REMOVE OR COVER THIS LABEL

Tested & Listed By  Beaverton Oregon USA
 OMNI-Test Laboratories, Inc.
 Report No. 028-S-42-2

Listed Pelletized Solid Fuel Burning Appliance Also for Use in Mobile Homes Model: Astoria PS

Serial No: XXXXXXXXXX

Tested to: ASTM E, 1509-95, Room Heater Pellet Burning Type (UM) 84 HUD
 Electrical Rating: 115V, 60Hz, 3 Amp; Start 3 Amps, Run 1.5 Amps
 Maximum Input Rating: 5.5 lbs (2.5kg)/hr
 This pellet fired appliance has been tested and listed for use in manufactured (mobile) homes in accordance with OAR 814-23-900 through 814-23-909.

WARNING - FOR MANUFACTURED HOMES: Do not install appliance in a sleeping room. Must utilize outside combustion air inlet (part #99200136) or equivalent. Structural integrity of the manufactured home floor, ceiling, and walls must be maintained.

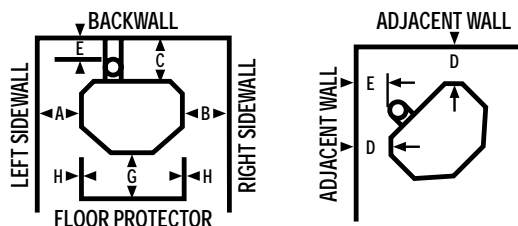
Install only in accordance with the manufacturer's installation and operating instructions. Contact local building or fire officials about restrictions and installation inspection in your area.

Use only listed 4 in./100 mm diameter listed type "L" or "PL" venting system. See manufacturer's installation instructions and local codes for precautions required for passing chimney through a combustible wall or ceiling. Do not connect this appliance to a vent serving another appliance. Inspect and clean exhaust venting system frequently in accordance with manufacturer's instructions.

May be installed in a sleeping room with use of outside combustion air inlet (Part #99200136) or equivalent.

Minimum Clearance to Combustible Materials (Measured to Stove Top)

	Interior Vertical Flue Installation	Horizontal Through the Wall Installation
Left Sidewall	A 9"	9"
Right Sidewall	B 9"	9"
Backwall	C **	3"
Corner	D 3"	3"
Flue Vent	E 3"	3"



Maximum alcove depth 48 in/1220 mm, minimum ceiling height 60 in/1525 mm, minimum alcove width 46 in/1165 mm.

Combustible floor must be protected by a non-combustible material, extending to the front (G) 6 in/150 mm and to the sides (H) 0 in/0 mm.

EXCEPTIONS: Non-combustible floor protection must extend beneath a vent tee when installed.

** This dimension will vary depending on brand of listed type "L" vent. See manual for details.

For use with 1/4 in/6 mm to 5/16 in/7 mm diameter pelletized wood fuels only.

Replace glass only with 5 mm ceramic glass available from your dealer.

DANGER: Risk of electrical shock. Disconnect power supply before servicing. Route power cord away from unit. Do not route power cord beneath heater.

Operate only with viewing door and ash removal tray tightly closed. Do not obstruct combustion air openings. The space beneath heater must not be obstructed. Keep all furnishings away from heater.

Mfg. by TRAVIS INDUSTRIES, INC.
 10850 117th PI N.E.
 Kirkland, WA 98033



U.S. ENVIRONMENTAL PROTECTION AGENCY

This model is exempt from EPA certification under 40 CFR 60.531 by definition [Wood Heater (A) "Air-to-fuel Ratio"].

Date of Manufacture

2001	2002	2003	Jan	Feb	Mar	Apr	May	Jun	Jul	Aug	Sep	Oct	Nov	Dec
■	■	■	■	■	■	■	■	■	■	■	■	■	■	■

DO NOT REMOVE THIS LABEL MADE IN U.S.A. 0406

Limited 7 Year Warranty

39

To register your TRAVIS INDUSTRIES, INC. 7 Year Warranty, complete the enclosed warranty card and mail it within **ten (10)** days of the appliance purchase date to: TRAVIS INDUSTRIES, INC., 4800 Harbour Pointe Blvd. SW, Mukilteo, WA 98275. TRAVIS INDUSTRIES, INC. warrants this gas appliance (appliance is defined as the equipment manufactured by Travis Industries, Inc.) to be defect-free in material and workmanship to the original purchaser from the date of purchase as follows:

Check with your dealer in advance for any costs to you when arranging a warranty call. Mileage or service charges are not covered by this warranty. This charge can vary from store to store.

Years 1 & 2 - COVERAGE: PARTS & LABOR

Firebox Assembly:

Firepot, Firepot Holder, Ash Cleanout Doors, Ashbox or Ash Dump, Cast Fireback, Heat Exchanger Tubes, Exhaust Manifold, Exhaust Box

Door Assembly:

Door Frame, Latch Assembly, Glass Retainers

Auger Assembly

Auger Flight, Auger Tube, Auger Bushings

Exclusions: Paint, Gasketing

Ceramic Glass

Glass (breakage from thermal shock)

Igniter System

Igniter, Igniter Leads

Electrical System

Auger Motor, Convection Blower, Exhaust Blower, Circuit Board, Snap Disks, Wiring Harness, Vacuum Switch

Accessories

Panels, Legs, Pedestal, Gold Trim, Ceramic Log with Log Shelf, Gold Door (See # 9 below)

Re-Installation Allowance

In cases where heater must be removed from home for repairs, a partial cost of re-installation is covered (pre-authorization required)

One-Way Freight Allowance

One-way freight allowance on pre-authorized repair done at factory is covered.

Years 3 Through 5 - COVERAGE: PARTS & LABOR

Firebox Assembly:

Firepot, Firepot Holder, Ash Cleanout Doors, Ashbox or Ash Dump, Cast Fireback, Heat Exchanger Tubes, Exhaust Manifold, Exhaust Box

Door Assembly:

Door Frame, Latch Assembly, Glass Retainers

Auger Assembly

Auger Flight, Auger Tube, Auger Bushings

One-Way Freight Allowance

One-way freight allowance on pre-authorized repair done at factory is covered.

Exclusions: Paint, Gasketing, Ceramic Glass, Igniter System, Electrical System, Accessories (panels, legs, pedestal, gold trim, ceramic log, gold door), Re-Installation Allowance

Years 6 & 7 - COVERAGE: PARTS ONLY

Firebox Assembly:

Firepot, Firepot Holder, Ash Cleanout Doors, Ashbox or Ash Dump, Cast Fireback, Heat Exchanger Tubes, Exhaust Manifold, Exhaust Box

Door Assembly:

Door Frame, Latch Assembly, Glass Retainers

Exclusions: Paint, Gasketing, Ceramic Glass, Igniter System, Electrical System, Accessories (panels, legs, pedestal, gold trim, ceramic log, gold door), Auger Assembly, Re-Installation Allowance, One-Way Freight Allowance, Labor

CONDITIONS & EXCLUSIONS

1. This new appliance must be installed by a qualified installer. It must be installed, operated, and maintained at all times in accordance with the instructions in the Owner's Manual. Any alteration, willful abuse, accident, neglect, or misuse of the product shall nullify this warranty.
2. This warranty is nontransferable, and is made to the ORIGINAL purchaser, provided that the purchase was made through an authorized Travis dealer.
3. Discoloration and some minor expansion, contraction, or movement of certain parts and resulting noise, is normal and not a defect and, therefore, not covered under warranty.
4. The warranty, as outlined within this document, does not apply to the chimney components or other Non-Travis accessories used in conjunction with the installation of this product. If in doubt as to the extent of this warranty, contact your authorized Travis retailer before installation.
5. Travis Industries will not be responsible for inadequate performance caused by environmental conditions such as nearby trees, buildings, roof tops, wind, hills or mountains or negative pressure or other influences from mechanical systems such as furnaces, fans, clothes dryers, etc.
6. This Warranty is void if:
 - a. The unit has been operated in atmospheres contaminated by chlorine, fluorine or other damaging chemicals.
 - b. The unit is subject to submersion in water or prolonged periods of dampness or condensation.
 - c. Any damage to the unit, combustion chamber, heat exchanger or other components due to water, or weather damage which is the result of, but not limited to, improper chimney/venting installation.
7. Exclusions to this 7 Year Warranty include: injury, loss of use, damage, failure to function due to accident, negligence, misuse, improper installation, alteration or adjustment of the manufacturer's settings of components, lack of proper and regular maintenance, damage incurred while the appliance is in transit, alteration, or act of God.
 - a. This 7 Year warranty excludes damage caused by normal wear and tear, such as paint discoloration or chipping, worn or torn gasketing, chipped or cracked firebrick, etc. Also excluded is damage to the unit caused by abuse, improper installation, modification of the unit, or the use of fuel other than that for which the unit is configured.
 - b. Damage to gold or nickel surfaces caused by fingerprints, scratches, melted items, or other external sources left on the gold or nickel from the use of cleaners other than denatured alcohol is not covered in this warranty.
10. TRAVIS INDUSTRIES, INC. is free of liability for any damages caused by the appliance, as well as inconvenience expenses and materials. Incidental or consequential damages are not covered by this warranty. In some states, the exclusion of incidental or consequential damage may not apply.
11. This warranty does not cover any loss or damage incurred by the use or removal of any component or apparatus to or from the Travis appliance without the express written permission of TRAVIS INDUSTRIES, INC. and bearing a TRAVIS INDUSTRIES, INC. label of approval.
12. Any statement or representation of Travis products and their performance contained in Travis advertising, packaging literature, or printed material is not part of this 7 year warranty.
13. This warranty is automatically voided if the appliance's serial number has been removed or altered in any way. If the appliance is used for commercial purposes, it is excluded from this warranty.
14. No dealer, distributor, or similar person has the authority to represent or warrant Travis products beyond the terms contained within this warranty. TRAVIS INDUSTRIES, INC. assumes no liability for such warranties or representations.
15. Travis Industries will not cover the cost of the removal or re-installation of hearths, facing, mantels, venting or other components.
16. If for any reason any section of this warranty is declared invalid, the balance of the warranty remains in effect and all other clauses shall remain in effect.
17. This 7 year warranty is the only warranty supplied by Travis Industries, Inc., the manufacturer of the appliance. All other warranties, whether express or implied, are hereby expressly disclaimed and purchaser's recourse is expressly limited to the warranties set forth herein.

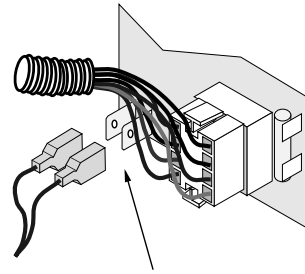
IF WARRANTY SERVICE IS NEEDED:

1. If you discover a problem that you believe is covered by this warranty, you MUST REPORT it to your Travis dealer WITHIN 30 DAYS, giving them proof of purchase, the purchase date, and the model name and serial number.
2. Travis Industries has the option of either repairing or replacing the defective component.
3. If your dealer is unable to repair your appliance's defect, he may process a warranty claim through TRAVIS INDUSTRIES, INC., including the name of the dealership where you purchased the appliance, a copy of your receipt showing the date of the appliance's purchase, and the serial number on your appliance. At that time, you may be asked to ship your appliance, freight charges prepaid, to TRAVIS INDUSTRIES, INC. TRAVIS INDUSTRIES, INC., at its option, will repair or replace, free of charge, your appliance if it is found to be defective in material or workmanship within the time frame stated within this 7 year warranty. TRAVIS INDUSTRIES, INC. will return your appliance, freight charges (years 1 to 5) prepaid by TRAVIS INDUSTRIES, INC., to your regional distributor, or dealership.
4. Check with your dealer in advance for any costs to you when arranging a warranty call. Mileage or service charges are not covered by this warranty. This charge can vary from store to store.

Thermostat (Part # 99300650)

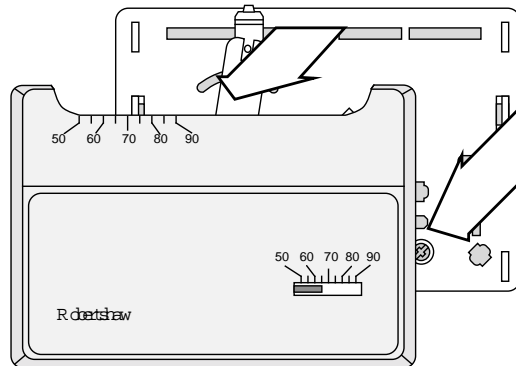
! Do not connect 120 VAC to the thermostat circuit of this heater (do not use a household thermostat used for a wall-board or other electrical heater).

1 Attach the thermostat wire to the circuit board (see the illustration to the right). Route the wire through the back of the heater (away from any hot or moving components).



Attach the quick-connects to the two posts near the molex connector on the circuit board (orientation does not matter).

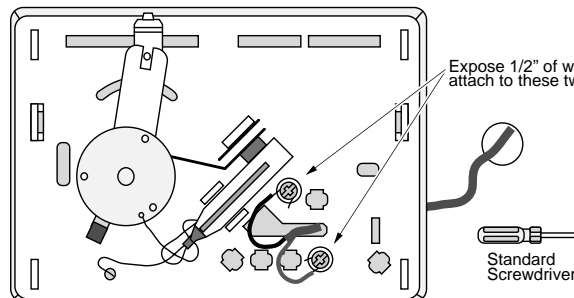
2 Determine a location for the thermostat that is within range of the 20' length of thermostat wire. It should be centralized in the room and away from the heater. The wire may be routed externally on the wall or behind the wall (preferred).



Pull the cover off the thermostat

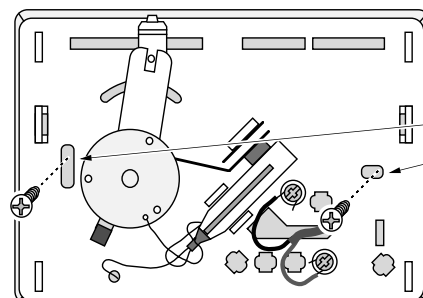
Run the thermostat wires through the wall (cut off excess wire, leaving 6" of slack).

3 Follow the directions to the right to attach the thermostat and thermostat wires.



Expose 1/2" of wire and attach to these two posts.

Standard Screwdriver



Attach the thermostat to the wall through these two holes.

Remote Thermostat

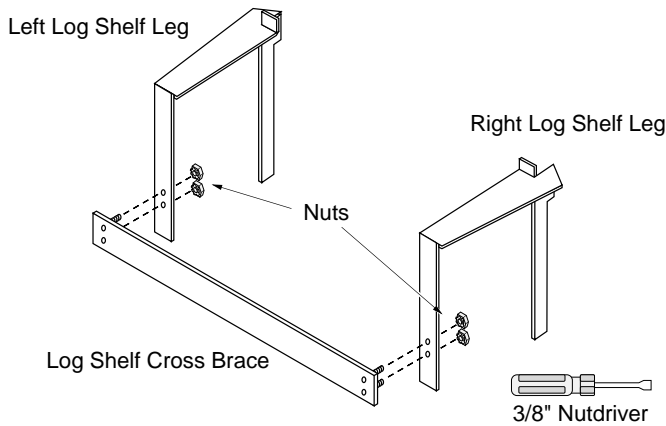
Follow the instructions included with the remote thermostat for installation.

Using the Remote Thermostat

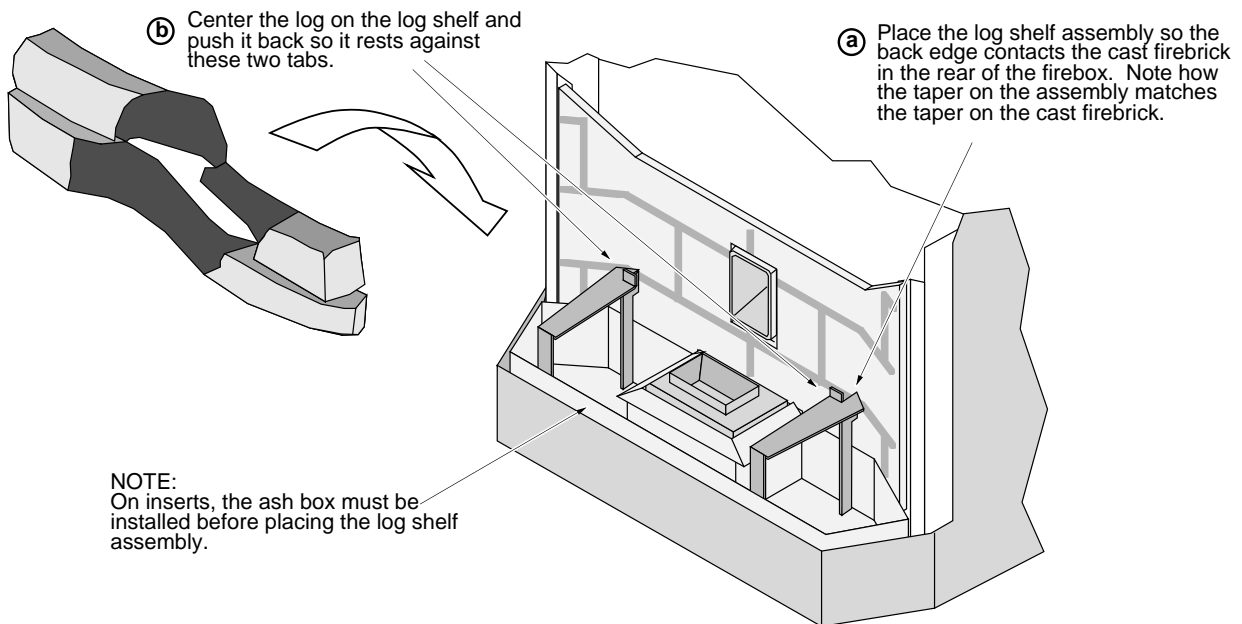
The remote thermostat has a 1 to 2 minute lag time between the time the thermostat is turned up and the heater turns on. Included with the remote thermostat is a set of instructions that details the operating characteristics of this optional component.

Pellet Log (part # 98900126)

- ! Make sure the heater has fully cooled before installation.
- 1 Assemble the log shelf following the directions below.



- 2 Remove the firepot from the pellet stove. Center the log shelf assembly (with extender attached) over the burnpot holder. Replace the burnpot. Place the log on the log shelf extender. When in place, the log should appear as shown in the photograph to the right.



Adjusting the Fan Speed.....	23	Glass Removal.....	36
Air Leaks.....	36	Gold (cleaning).....	28
Alcove Installation Requirements.....	12	Hearth (Floor Protection Requirements).....	7
Ashpan (Opening and Disposing Ashes).....	31	Hearth Fireplace.....	16
AUGER ON Light.....	24	Heat Exchange Tubes (cleaning).....	28
Auto Mode.....	22	Heating Specifications.....	6
Bi-Weekly Maintenance (or every 10 bags pellets)....	28	Hopper Cleaning (Vacuum Hopper).....	28
Blower (Exhaust Blower Cleaning).....	33	Important Information.....	2
Blower Speed Adjustment.....	23	Installation Options.....	7
Cap (Pellet Vent Termination).....	10	Installation Warnings (Before you Begin).....	7
Check for Air Leaks - Door, Glass and Ashpan.....	36	Interior Vertical Vent Installation.....	14
Chimney Retrofit (wood stove).....	15	Introduction.....	2
Clean the Exhaust Blower.....	33	Listing Label.....	38
Clean the Exhaust Duct.....	32	Loading Pellets.....	20
Clean the Glass.....	31	Manual Mode.....	21
Clean the Heat Exchange Tubes.....	28	Masonry Fireplace.....	16
Clean the Vent.....	33	Mobile Home Requirements.....	11
Cleaning Ashpan (Opening and Disposing Ashes).....	31	Modes of Operation.....	20
Cleaning the Firebox (Sweep Ash Into Ashpan).....	30	Noise (Normal Operating Sounds).....	37
Cleaning the Firepot.....	26	Normal Operating Sounds.....	37
Cleaning the Hopper (Vacuum Hopper).....	28	Opening the Door.....	27
Clearances - Corner Installation.....	8	Outside Air.....	11
Clearances - Straight Installation.....	8	Parts List.....	36
Clinkers (Check Firepot for Clinkers).....	26	Pellet Vent Termination.....	10
Controls.....	19	Pellets (Fuel).....	6
Curing the Paint.....	19	Pellets (loading).....	20
Daily Maintenance (whenever using the stove).....	25	Pellets Piling Up.....	25
Dimensions.....	6	Placing the Stove.....	7
Direct "Through the Wall" Installation.....	13	Planning the Installation.....	7
Door (cleaning the gold).....	28	Power Outages.....	24
Door (Opening).....	27	Priming the Auger.....	19
Door Gasket (inspection, removal).....	36	Restrictor Adjustment.....	23
Electrical Specifications.....	6	Safety Label.....	38
Emissions (EPA Compliance).....	6	Safety Precautions.....	4, 5
EPA Compliance.....	6	Serial Number Label.....	38
Exhaust Blower (Cleaning).....	33	Smell in Home (Starting Heater for the First Time).....	19
Exhaust Duct (Cleaning).....	32	Start-Up Sequence.....	24
Fan (Adjusting the Fan Speed).....	23	Stove Placement.....	7
FAULT Light.....	24	Thermostat Operation (Auto Mode).....	22
Firebox (Cleaning).....	32	Type A Chimney Retrofit.....	15
Fireplace Installation.....	16	Vent (Cleaning).....	33
Firepot Cleaning.....	26	Vent Type.....	10
Firepot Inspection (Inspect the Burn).....	25	Venting Distance.....	9
Flames (Inspect the Burn).....	25	Venting the Pellet Stove.....	9
Floor Protection Requirements.....	7	Warnings.....	4, 5
Fuel.....	6	Warranty.....	39
Gasket (door, glass - inspection & removal).....	36	Yearly Maintenance (or every two tons).....	32
Glass (Cleaning).....	31	Zero-Clearance (metal) Fireplace.....	17